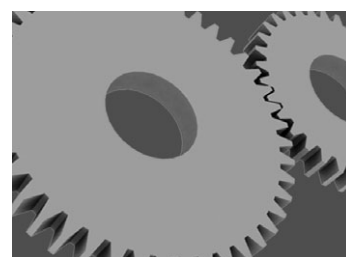




Assembly and Operating Instructions



Automatic sliding driveway gate

Technical documentation

Last update: August 23, 2004

GB

1. IMPORTANT INFORMATION

The gate should be installed and adjusted only by a COMPETENT person. Read all the instructions before assembling the gate. Read the instructions and follow them carefully. They contain essential information to ensure secure assembly, use and proper maintenance of the gate. Keep this manual in a safe place.

2. PURPOSE

This gate should be used for closing driveways to private property, plots, recreational areas, private housing estates, public buildings, historical buildings and sites, churches and temples, embassies, government buildings, state office buildings and other buildings of similar nature.

3. OPERATING CONDITIONS AND SAFETY

WARNING:

When assembling and installing the gate, follow the local health and safety at work regulations concerning assembly and fitting work performed with electric tools in accordance with the assembly technique used.

ALL ELECTRIC WORK MUST BE PERFORMED ONLY BY AN AUTHORIZED TECHNICIAN.

ANY ELECTRIC INSTALLATION THAT MIGHT BE REQUIRED MUST BE MADE ACCORDING TO THE REGULATIONS THAT ARE IN EFFECT IN YOUR COUNTRY.



There must be no obstacles within the operating range of the gate. Make sure that while the gate is in motion there are no people (and especially children) or objects in its close proximity.

WARNING! Accident hazard.



The gate may be opened or closed using the automatic drive system only if the gate can be observed by the operator.

WARNING! Accident hazard.

Gates with filling elements spacing < 20% must not be used when wind velocity exceeds 15 m/s.

Gates with no filling

Filling that is fitted by the customer may only be screwed to the gate. The filling parts must not be welded to the gate.

The maximum weight of the filling must not exceed 20 kg per one running meter of the driveway width.

A galvanized gate may be painted with topcoat paint following the instructions provided by its manufacturer.

The zinc coating on the gate is not meant to be decorative but protects it against corrosion.

Optional equipment:

This automatic gate may be equipped with optional features:

1. A light that flashes when the gate is being open (EKO gates).
2. An infrared barrier with photocells.
3. Safety bars (edges).

4. PRELIMINARY WORK

This stage includes preparing the gate's foundations and any electric circuits that are required:

- The opening direction of the gate is always determined when looking at the gate from the premises. A RIGHT gate is a gate that opens to the right.
- The foundation for the right gate should be constructed in accordance with Fig. 0 premises view (the anchoring bolts are delivered by the manufacturer). A mirror-view foundation should be constructed for the left gate.
- All foundations for the fence must be deeper than the freezing zone specified for a given area. In Poland, follow the PN-81/B-03200 standard.
- The distance between the foundation anchoring bolts must correspond to the distance between the holes in the gate angle brace and is specified in the pricelist.
- When inserting the anchoring bolts into the concrete it is essential to ensure that they are in vertical position.
- Bring power wires to the place marked in Fig. 0.1a and leave 1 extra meter of the wire for subsequent fitting work.
- Bury YLY control wires (2 x 0.5 mm² for one pair of photocells) below the surface of the driveway and leave approximately 1 extra meter of the wire for subsequent fitting work. Alternatively, bury a PVC pipe into which wires will be inserted later.
- If the gate is less than 30 m away from the power source (transformer), use the YLY 2 x 1.5 mm² wire, and if the distance exceeds 30 m, use the YLY 2 x 1.5 mm² and the YLY 2 x 0.5 mm² control wire.

5. ASSEMBLY

Correct functioning of the gate depends to a great extent on whether it has been properly installed.

The manufacturer may install the gate for you if you request such services or may recommend an authorized installer.

If you install the gate on your own, make sure that you strictly follow the instructions to avoid malfunctioning of the gate, its premature wear, and a possible loss of warranty.

Having adjusted and manually checked how the gate operates, adjust the limit switches on the gate's moving part. Do the adjustment by loosening the screw on the switch and moving the switch right or left until the clearance between the moving part of the gate and the fork (after the gate closes completely) is approximately 5 [mm] (Fig. 8.3a).



It is forbidden to use any additional fittings and modify the existing ones without the manufacturer's consent.



It is forbidden to install the power transformer inside the gatepost.

AFTER THE GATE HAS BEEN INSTALLED

6. OPERATION

Do not block the gate or leave any objects in its way!

Make sure that while the gate is in motion there are no people (and especially children) or objects in its close proximity.

The gate has been properly installed when it moves smoothly and its operation is easy.

In the case of power failure you may open the gate manually after unlocking the drive unit as shown in Fig. 9.

Before you open the gate for the first time, check it thoroughly following the instructions in chapter 9: "Maintenance and service".

Opening and closing

The automatic gate is opened and closed by pressing the button on the remote control unit. Hold the button for approximately 1 or 2 seconds.

7. TROUBLE SHOOTING

If the gate does not react to the signal from the remote control unit, do the following:

- make sure there is electric tension in the power supply system,
- make sure that the teeth of the gearwheel are between the teeth on the toothed bar,
- check the fuse on the switch board (6.3 A) or in the transformer (1 A),
- check the battery in the remote control unit,
- if resistance is felt while moving the gate or if there are other problems, check all the individual parts following the instructions in "Maintenance and service" and "Cleaning".

In case of any doubt, contact the installer or the manufacturer's authorized service.

8. PAINTING (not applicable to painted gates)

Having installed the gate, use anti-corrosive primer to paint any spots where the zinc coating has been damaged.

The zinc-coated gate may be painted with two layers of topcoat paint, preferably based on artificial resins, following the instructions provided by its manufacturer.

9. MAINTENANCE AND SERVICE

The gate should be checked and maintenance work should be performed at least every 6 months according to the instructions below.

Failure to do so may result in malfunctioning.

It is recommended that the gate be checked once a year by an authorized technician. Such a check should be confirmed in the warranty card.

9.1. Fitting

Check all the connections between different parts of the gate (made during the installation) and adjust them if necessary.

9.2. Lubrication

It is not recommended to lubricate the moving parts of the gate, as it causes dust and dirt to stick to them, which causes even more friction and resistance.

9.3. Lock insert

Do not lubricate it!

9.4. Adjustment of overload force

When checking the gate, adjust the overload switch in accordance with the provided instructions for the drive unit.

After the adjustment, the pressing force of the gate must not exceed 150 N.

10. CLEANING

After each winter season clean the slide rail of the gate of any dirt that has accumulated inside.

10.1. Gates with powder-painted surfaces.

Protect the gate from caustic substances such as liquors, acids, etc.

Make sure the product is properly maintained. Clean the powder-painted parts of the gate at least once a year. If the gate is used in an excessively polluted environment, it should be cleaned more frequently.

When cleaning the gate, follow this advice:

- Use clean water with some neutral (or somewhat alkaline) cleaner and soft, non-abrasive cloth.
- The cleaned surfaces must be cold (maximum 25 °C).
- Use only cold cleaners (maximum 25 °C).
- Do not use any cleaners that are acidic, strongly alkaline or abrasive, which may damage the coating and react with the steel structure.
- Do not use any abrasive cleaners that may peel or scratch the paint.
- Do not use any organic solvents that contain esters, ketones, alcohols, fragrances, glycol ether or chlorinated hydrocarbons.
- Do not use any cleaners whose chemical contents are unknown.
- Greasy, oily or sooty substances may be removed with fragrance-free petrol hydrocarbon.
- Residue of glue, silicon rubber, self-adhesive tape, etc. may be removed with fragrance-free petrol hydrocarbon.

Any cleaner may be in contact with the surface no longer than for 1 hour. If necessary, cleaning may be repeated after at least 24 hours.

Glues, mortars, fillers, putties and self-adhesive tapes may contain aggressive substances. Check their action on the paint and the steel structure before using them.

10.2. Gates with galvanized surfaces.

Use the same guidelines as for gates with powder-painted surfaces.

WARNING: Do not lubricate any parts of the angle brace.

11. ADJUSTMENT OF THE GATE

Adjustment of the motion parameters and programming of the drive unit should be performed in accordance with the provided instructions for the drive unit.

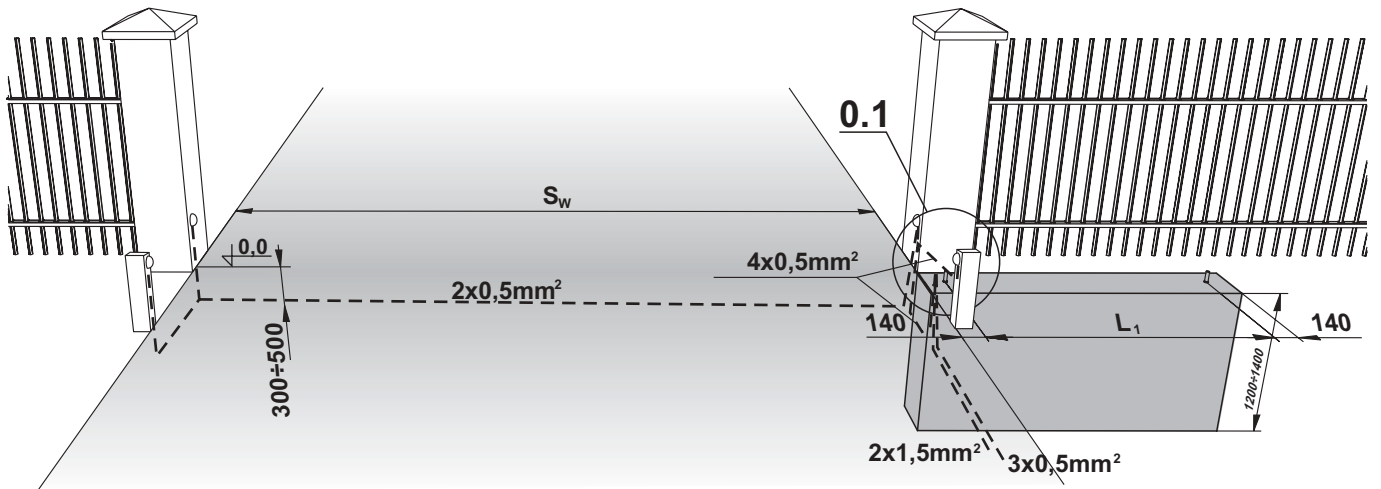
After the adjustment, the pressing force of the gate must not exceed 150 N.

TECHNICAL DATA		
Power supply		24 [V] DC
Current intensity		4 [A]
Power consumption		70 [W]
Driving torque		5 [N/m]
Gear wheel	Number of teeth	16
	Module	3
Sliding speed		5,5 [m/min]
Drive unit weight		4,5 [kg]
Maximum weight of the moving part of the gate		180 [kg]
Working temperature		-25° ÷ +50°
Efficiency		40%

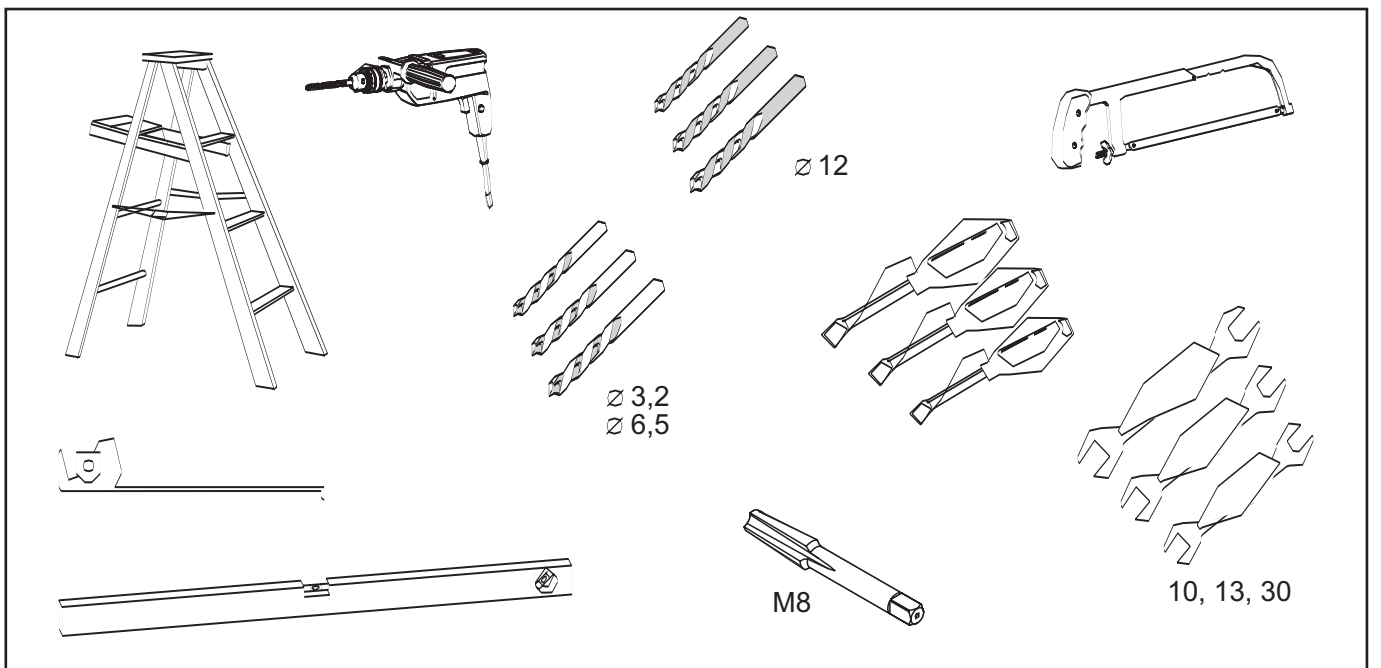
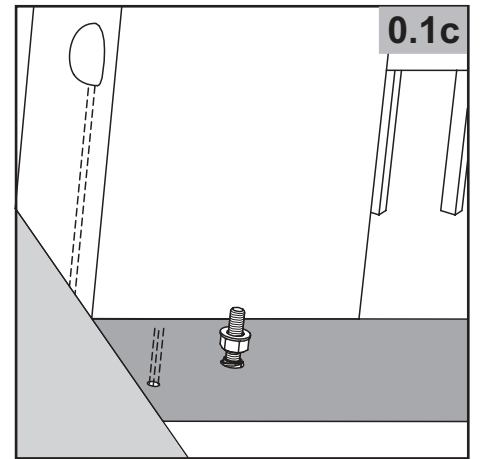
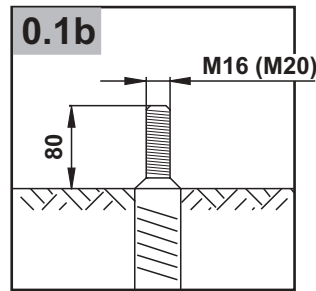
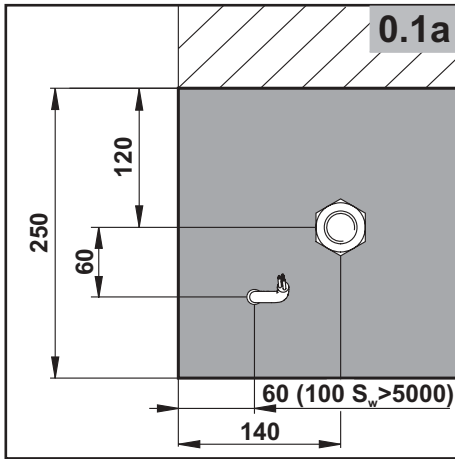
The manufacturer reserves the right to change, without notice, the design of the product in accordance with new technologies without changing its functionality.

This documentation is the property of FPHU WISNIOWSKI. Any copying, and use thereof in part or in whole without a written consent of the owner is strictly forbidden.

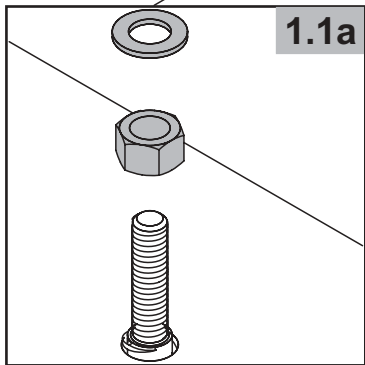
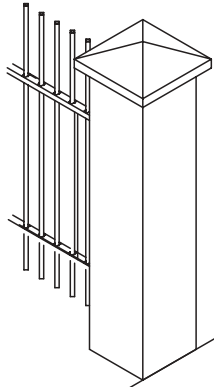
0



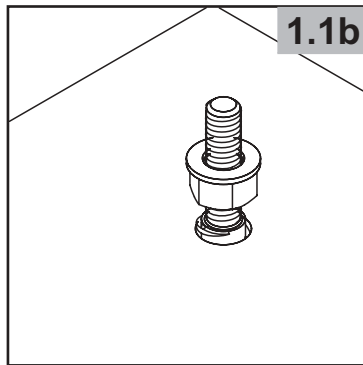
Abbreviations: S_w - driveway opening, L_1 - distance between anchors



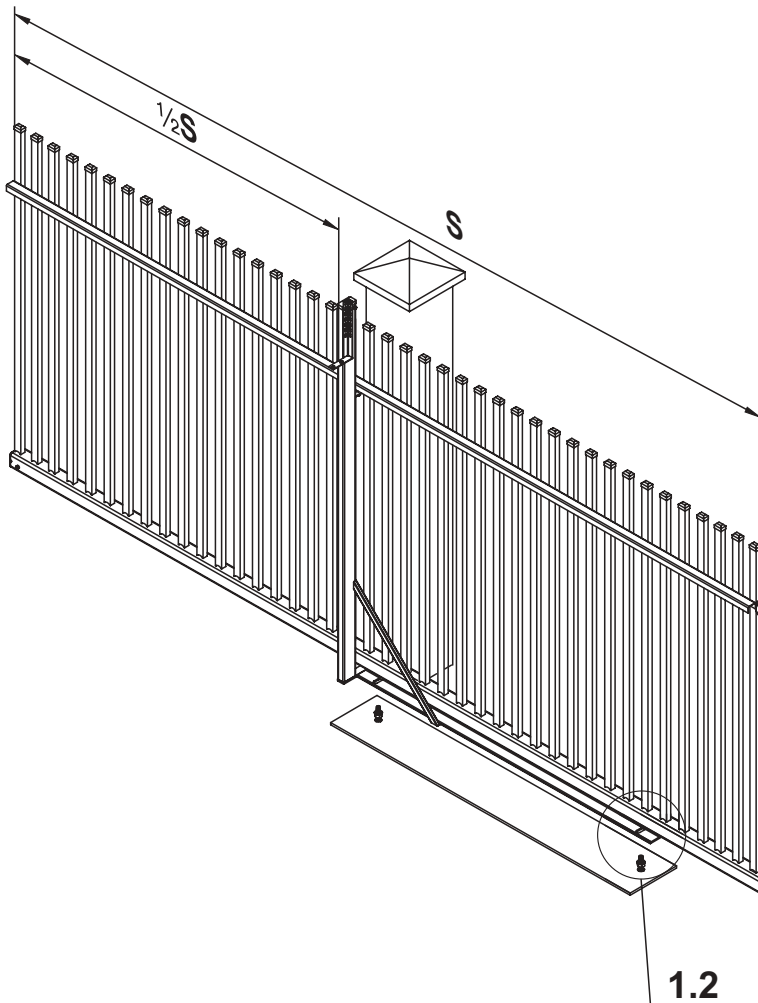
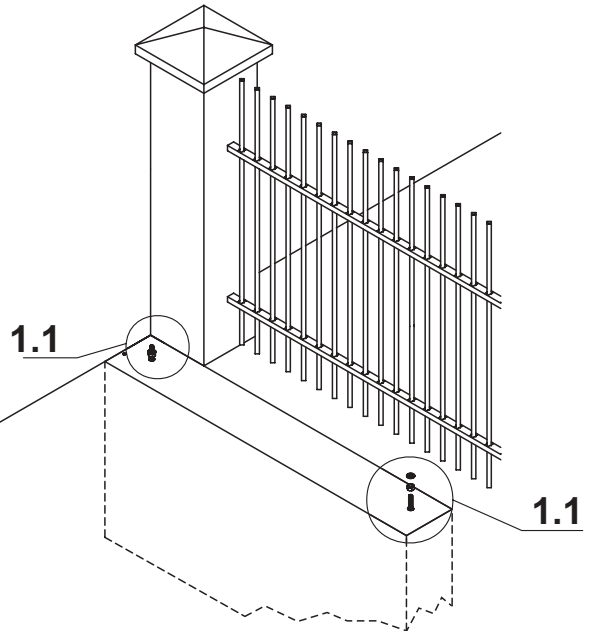
1



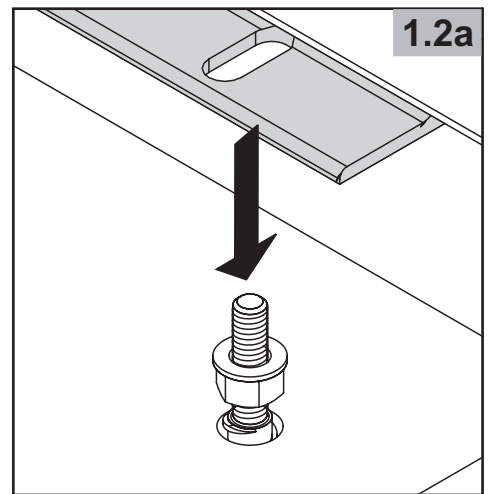
1.1a



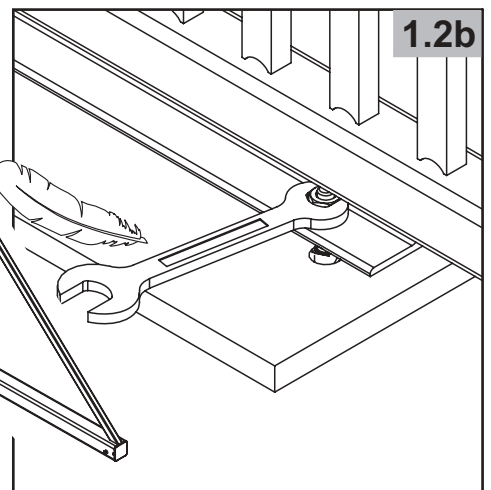
1.1b



1.2

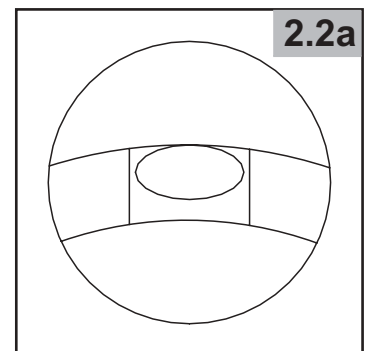
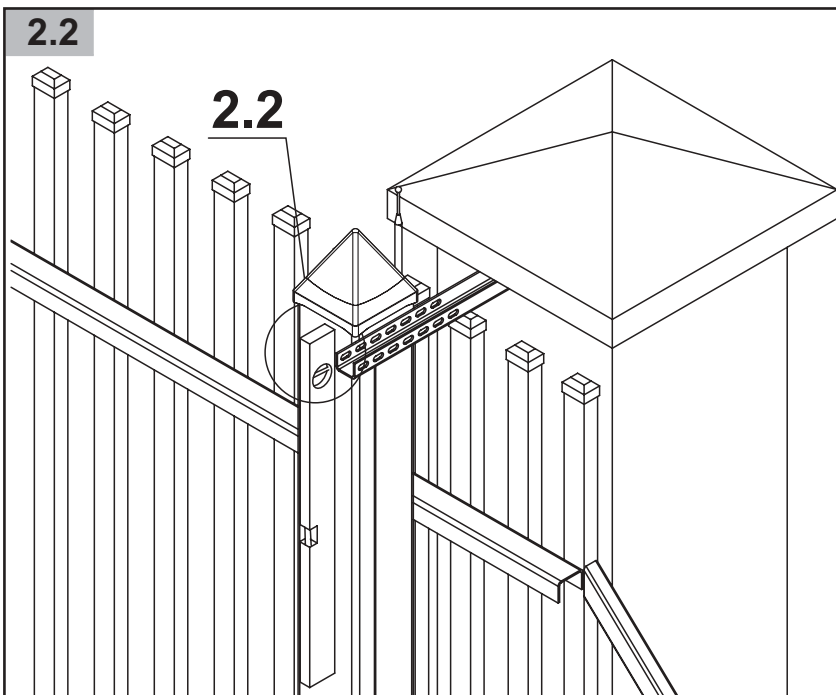
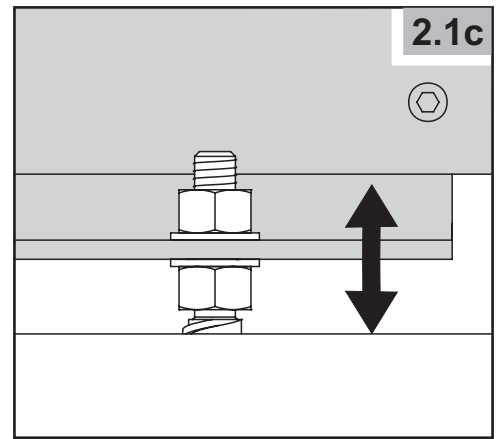
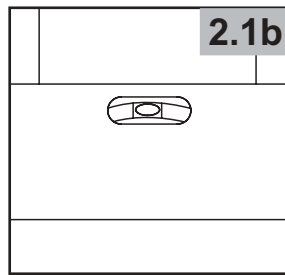
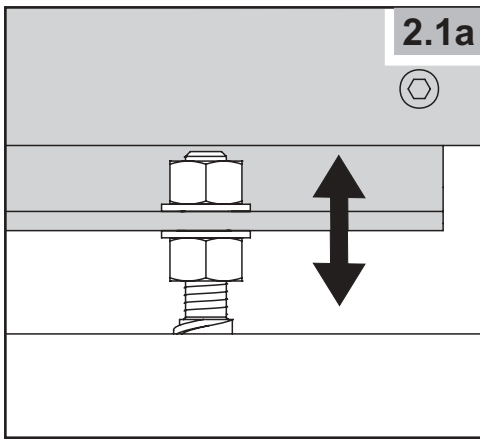
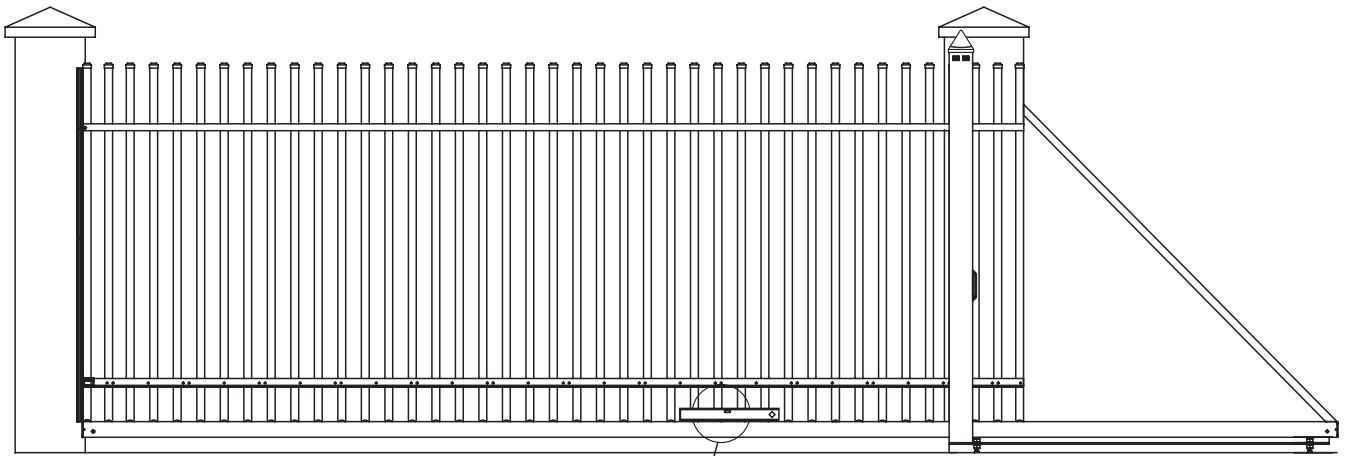


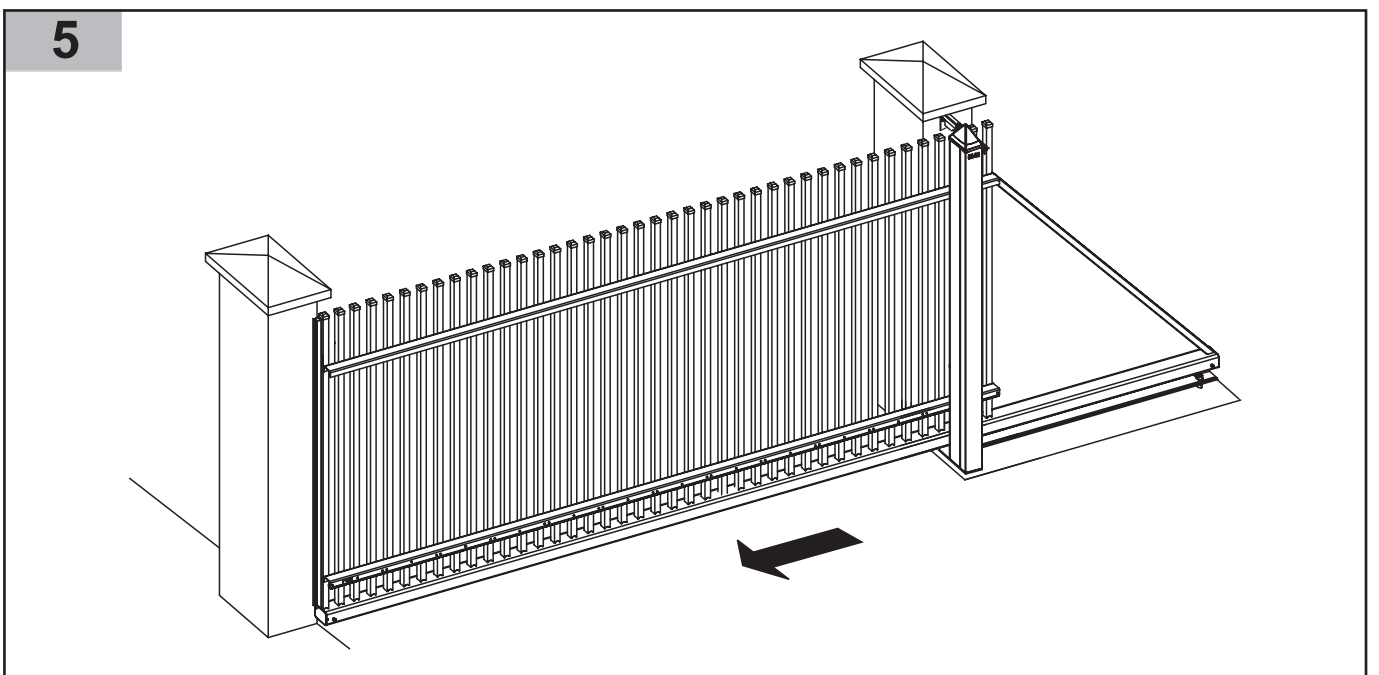
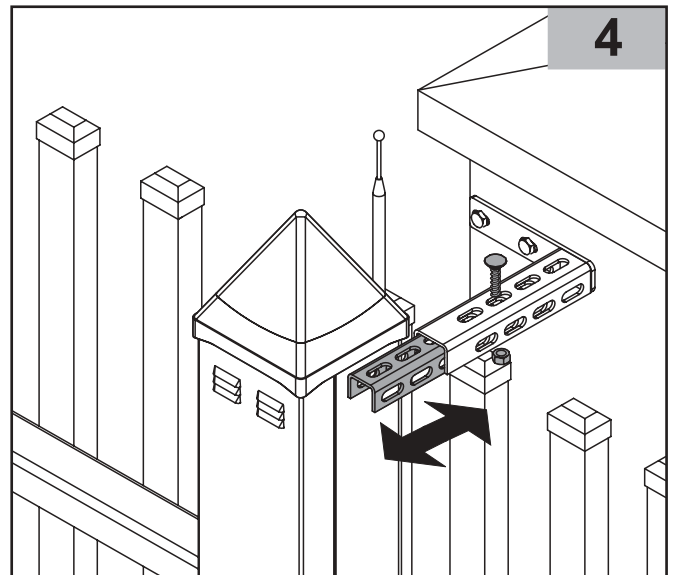
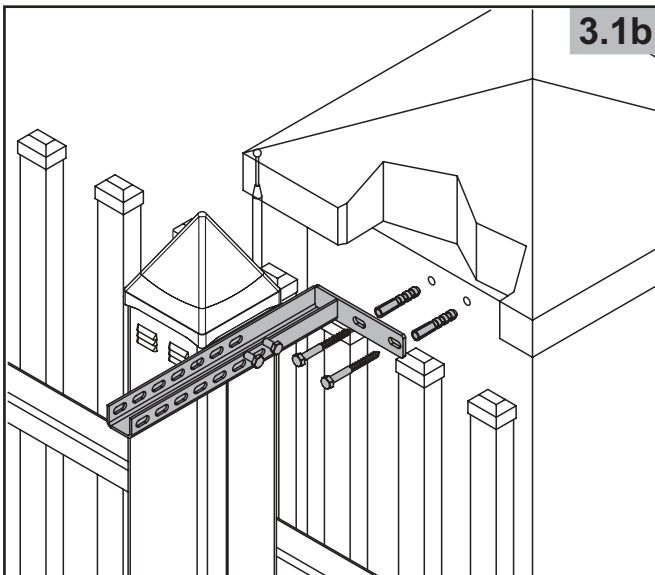
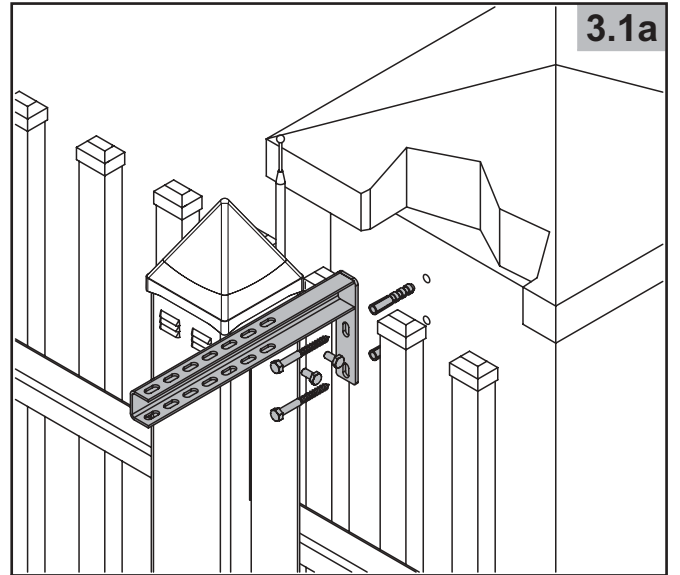
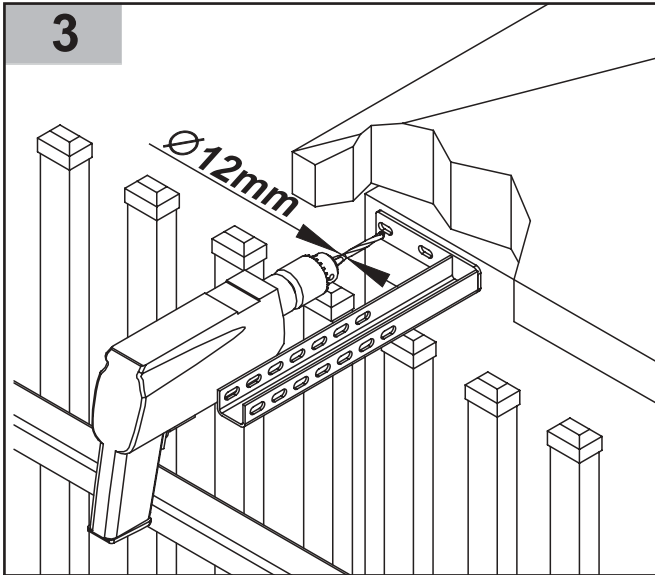
1.2a

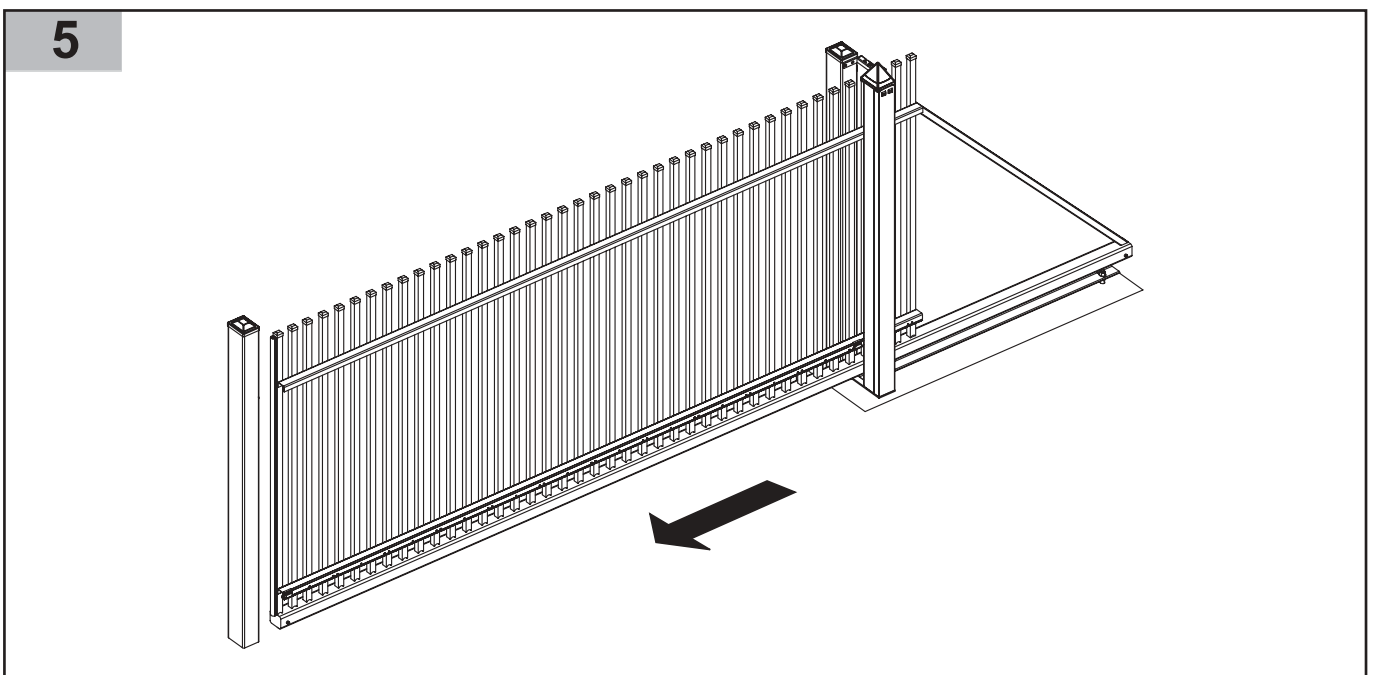
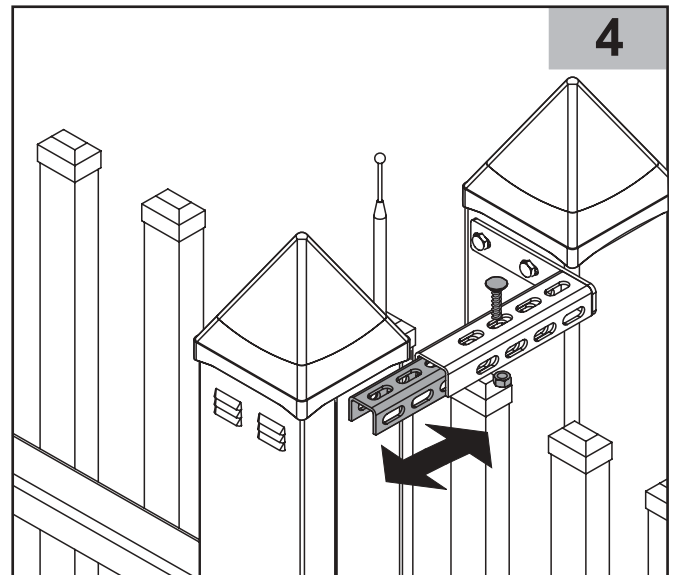
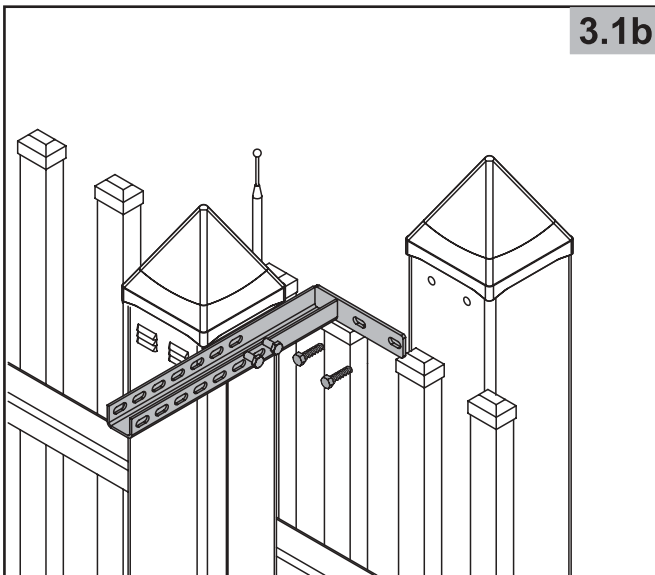
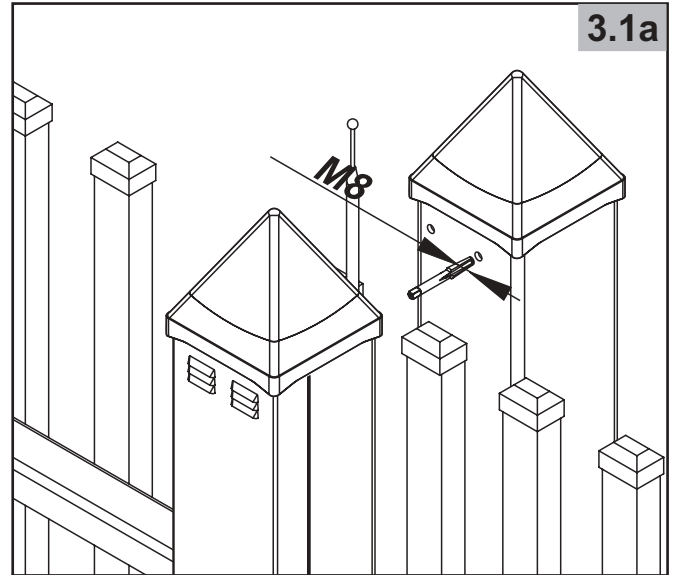
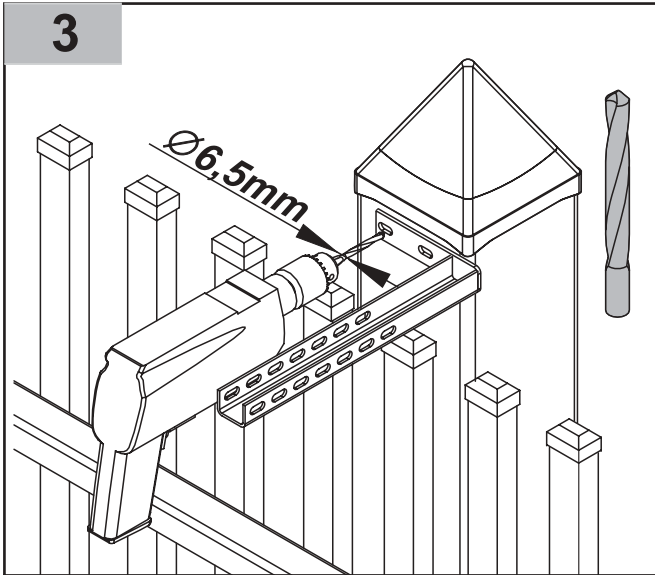


1.2b

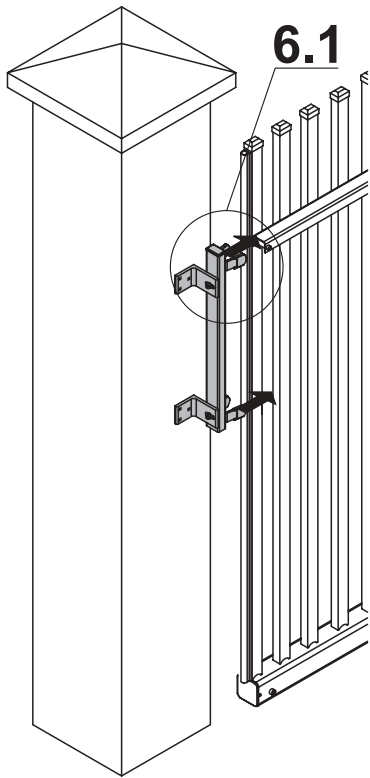
2



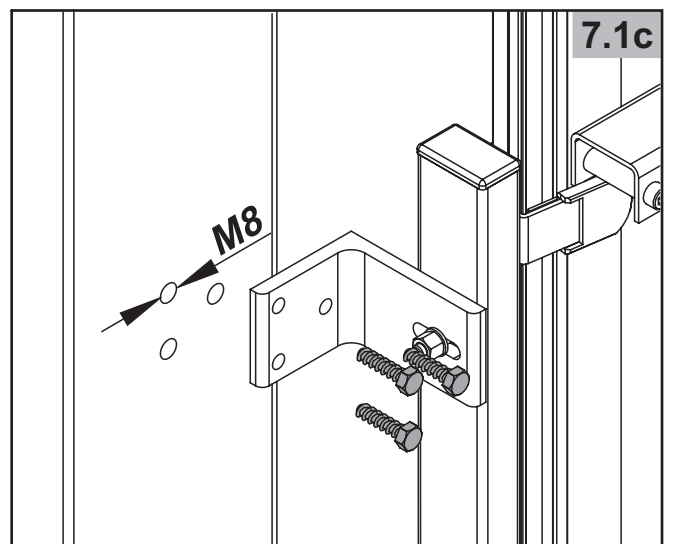
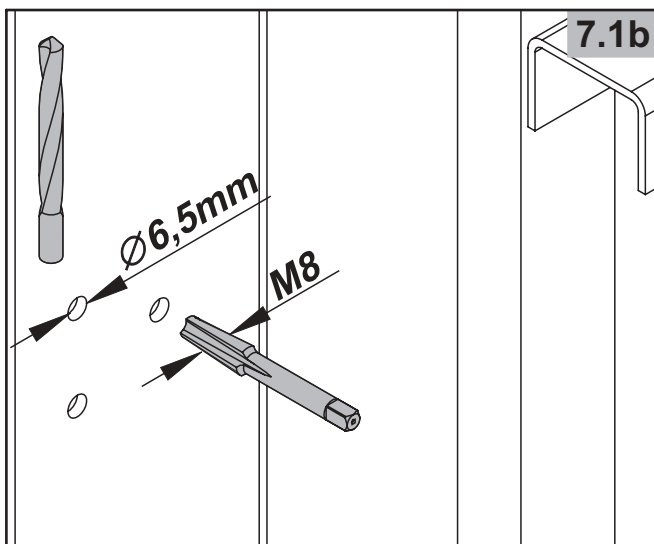
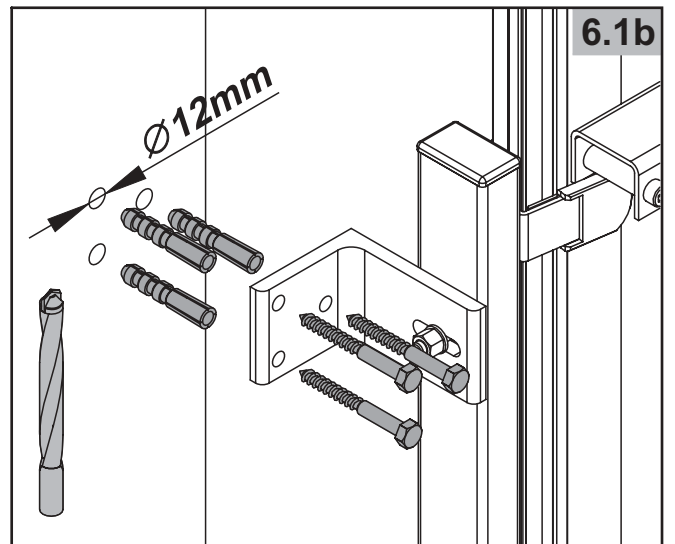
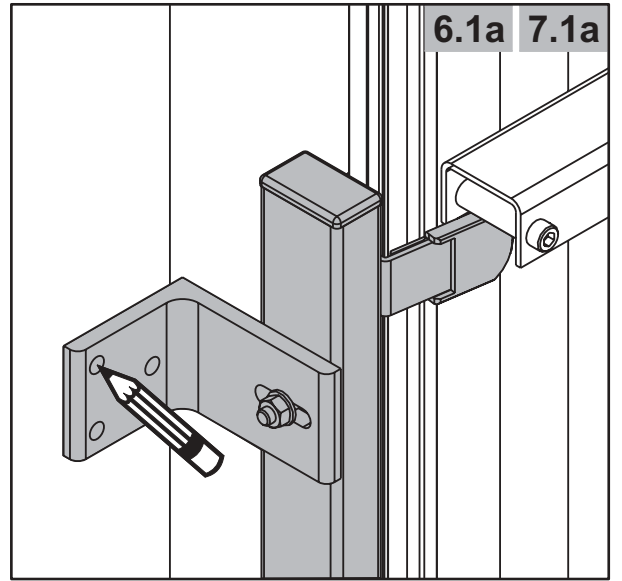
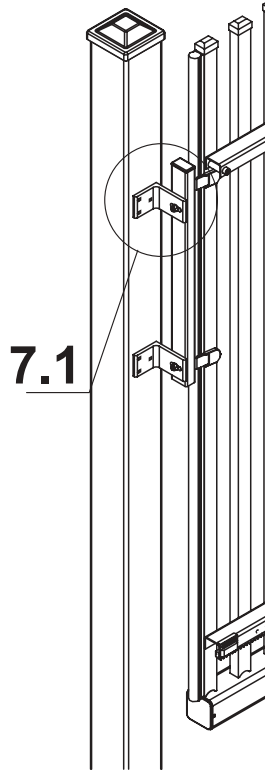




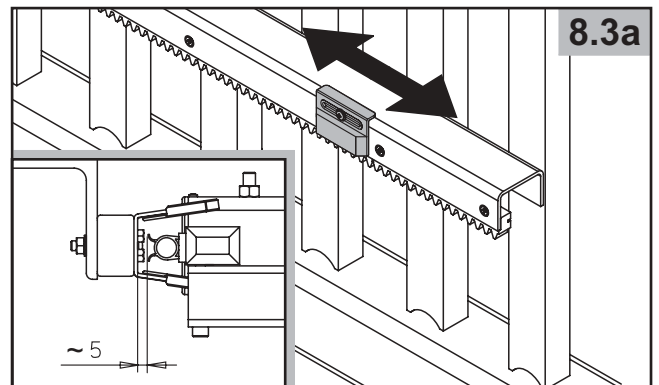
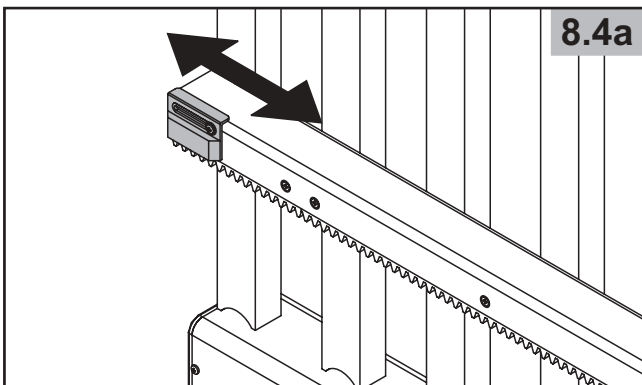
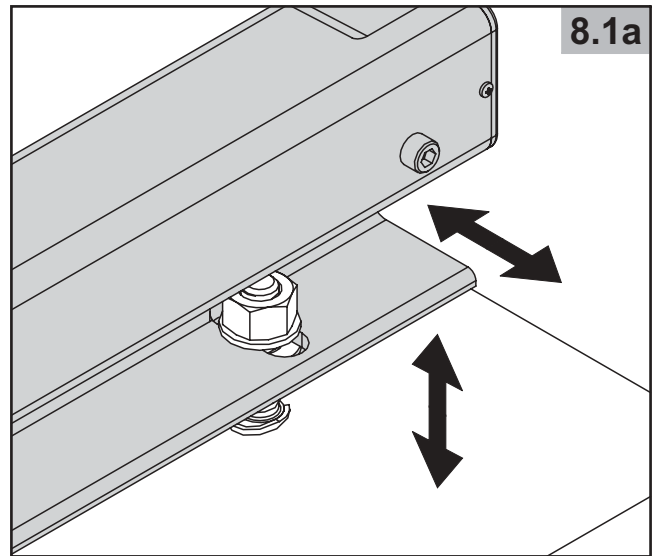
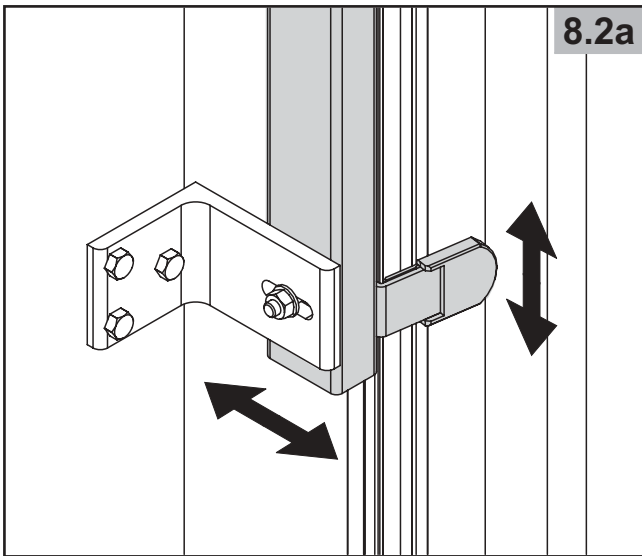
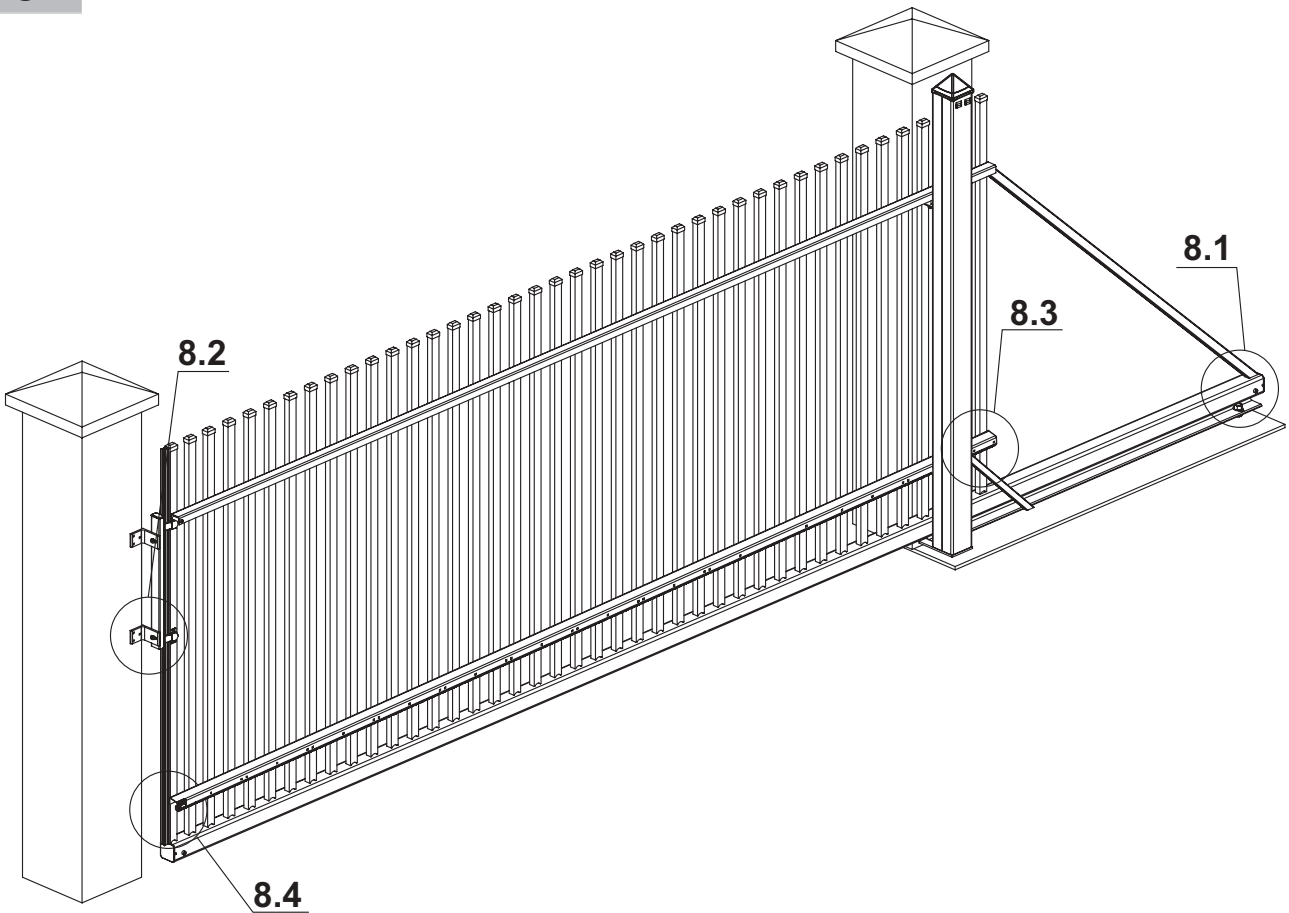
6



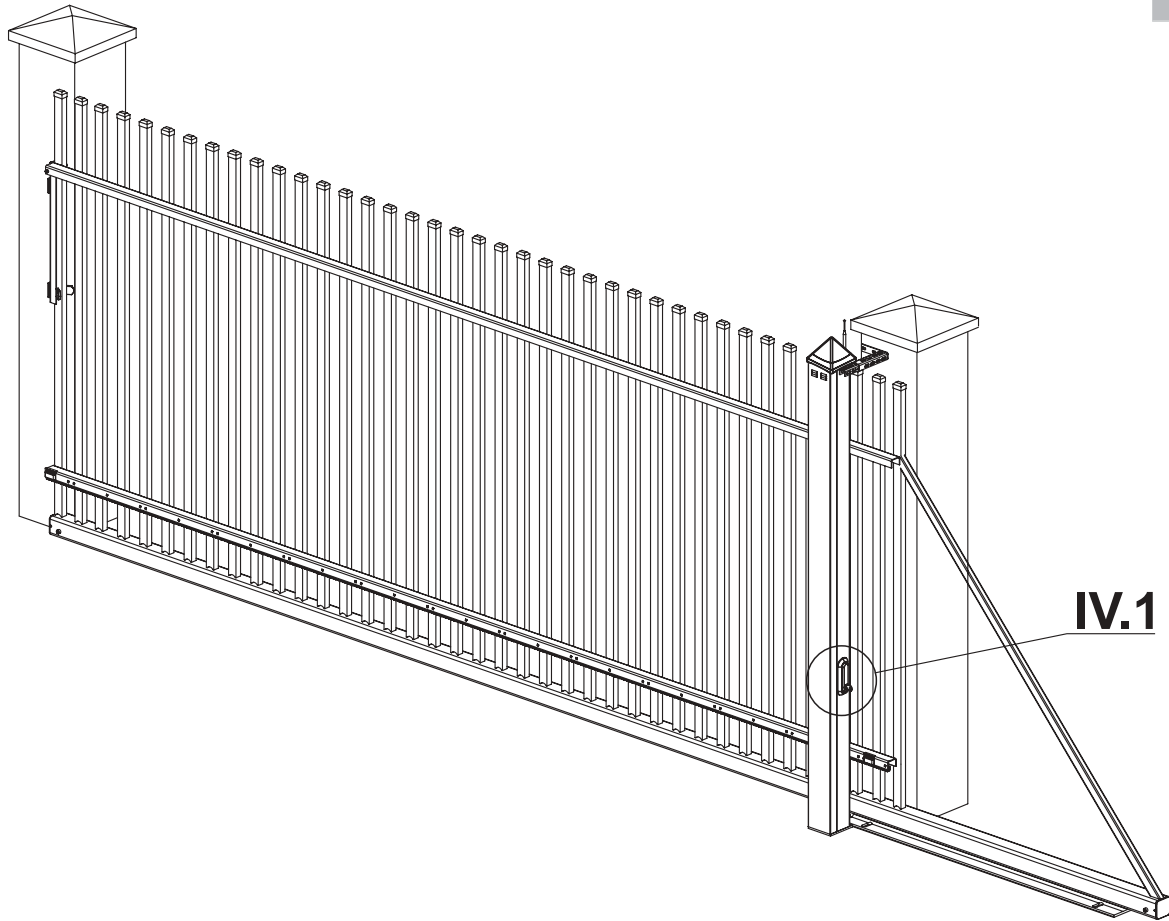
7



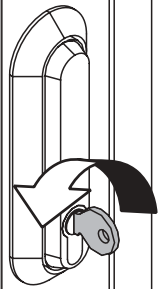
8



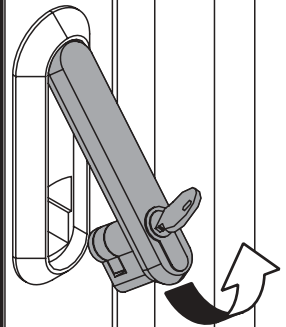
IV



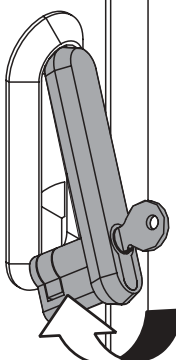
IV.1a



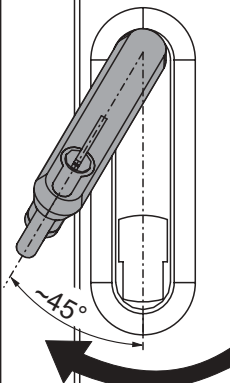
IV.1b

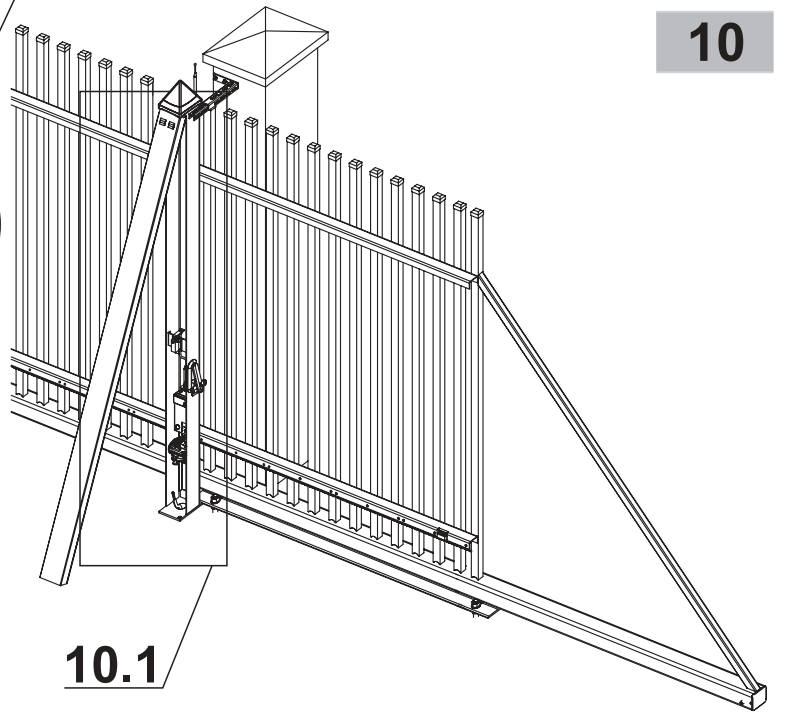
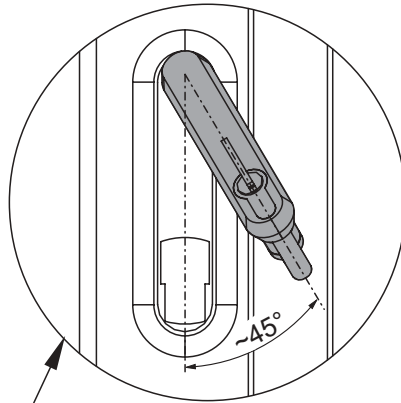
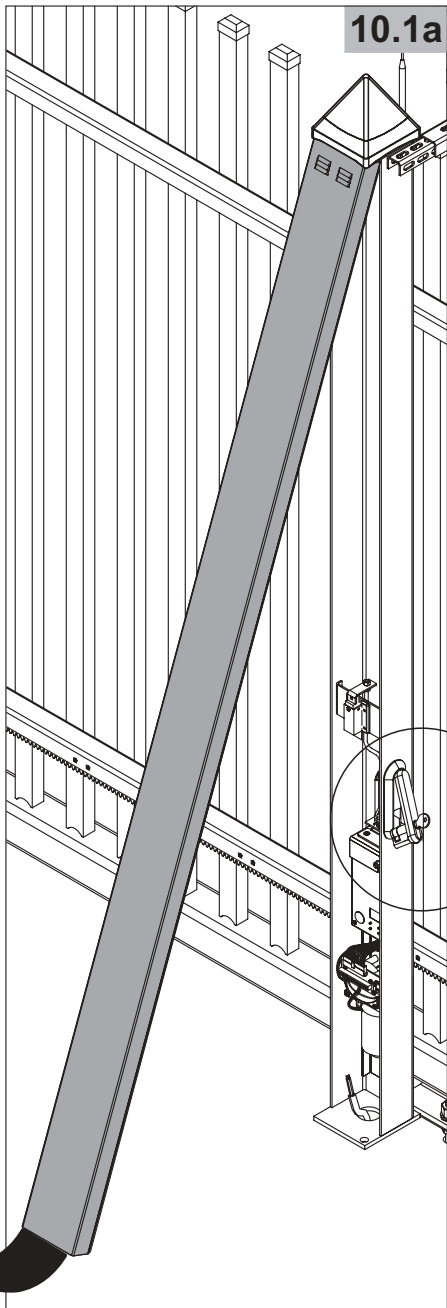
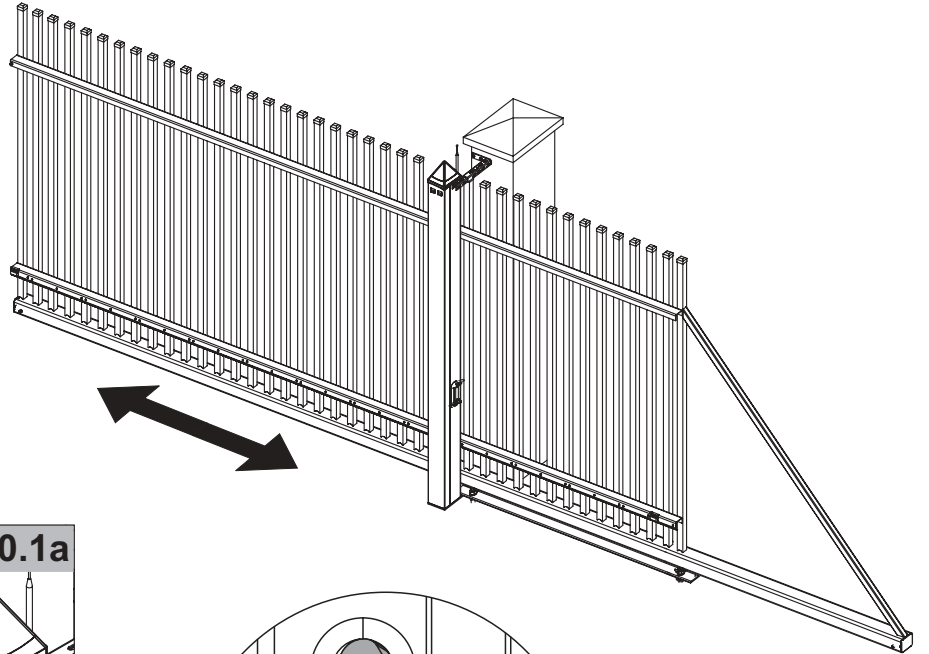
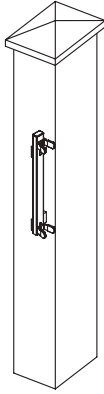


IV.1c

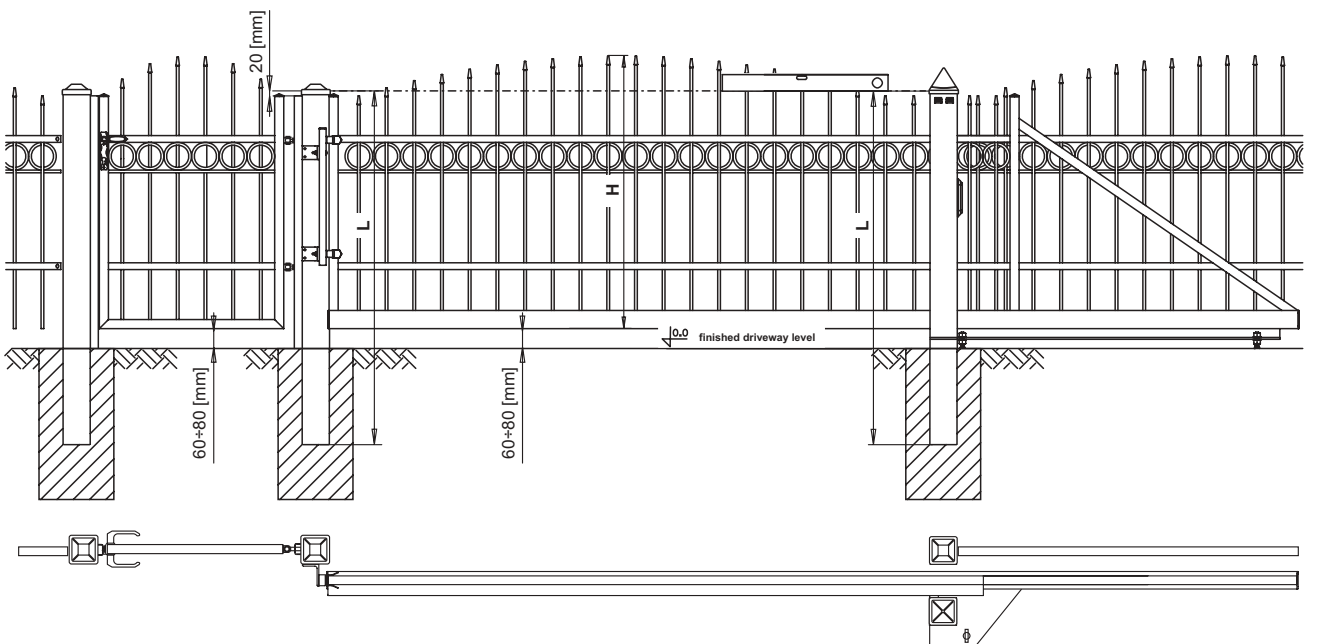
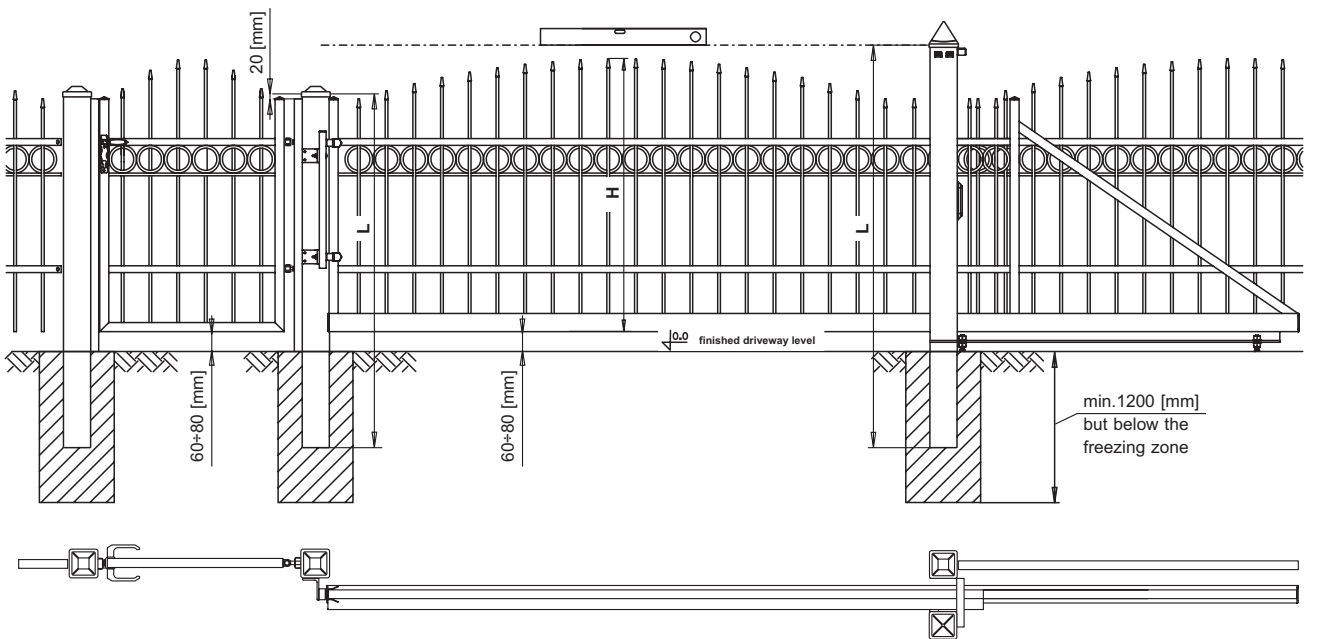
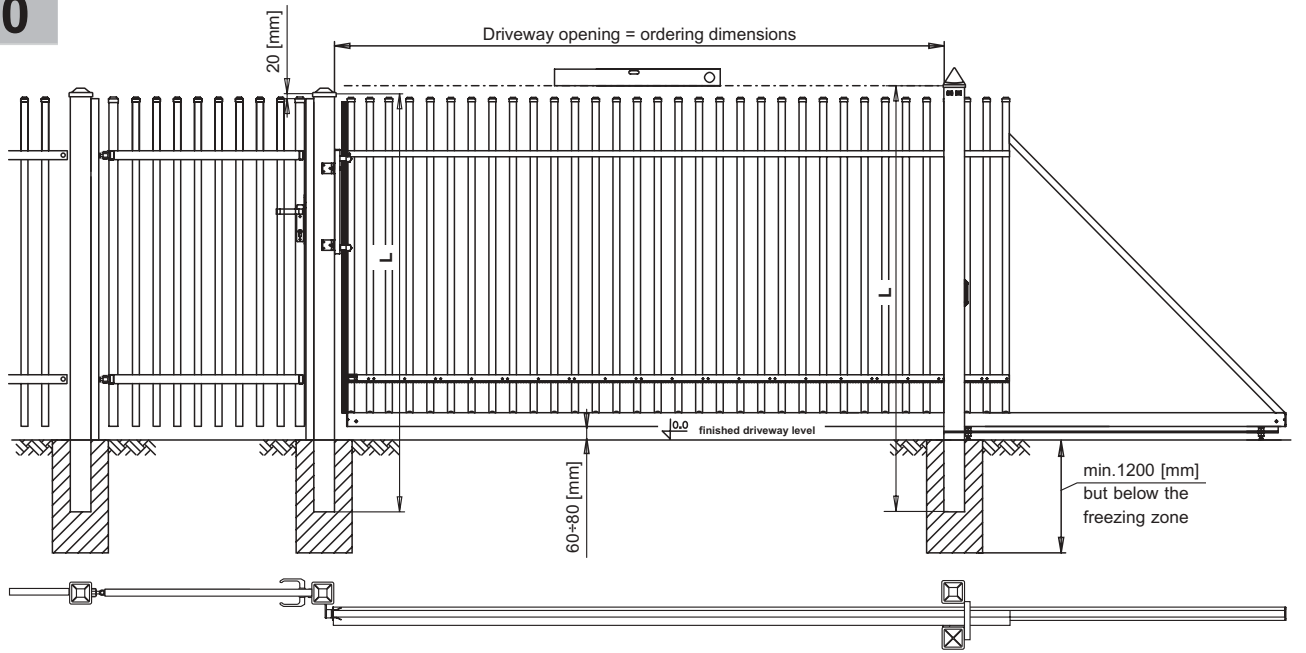


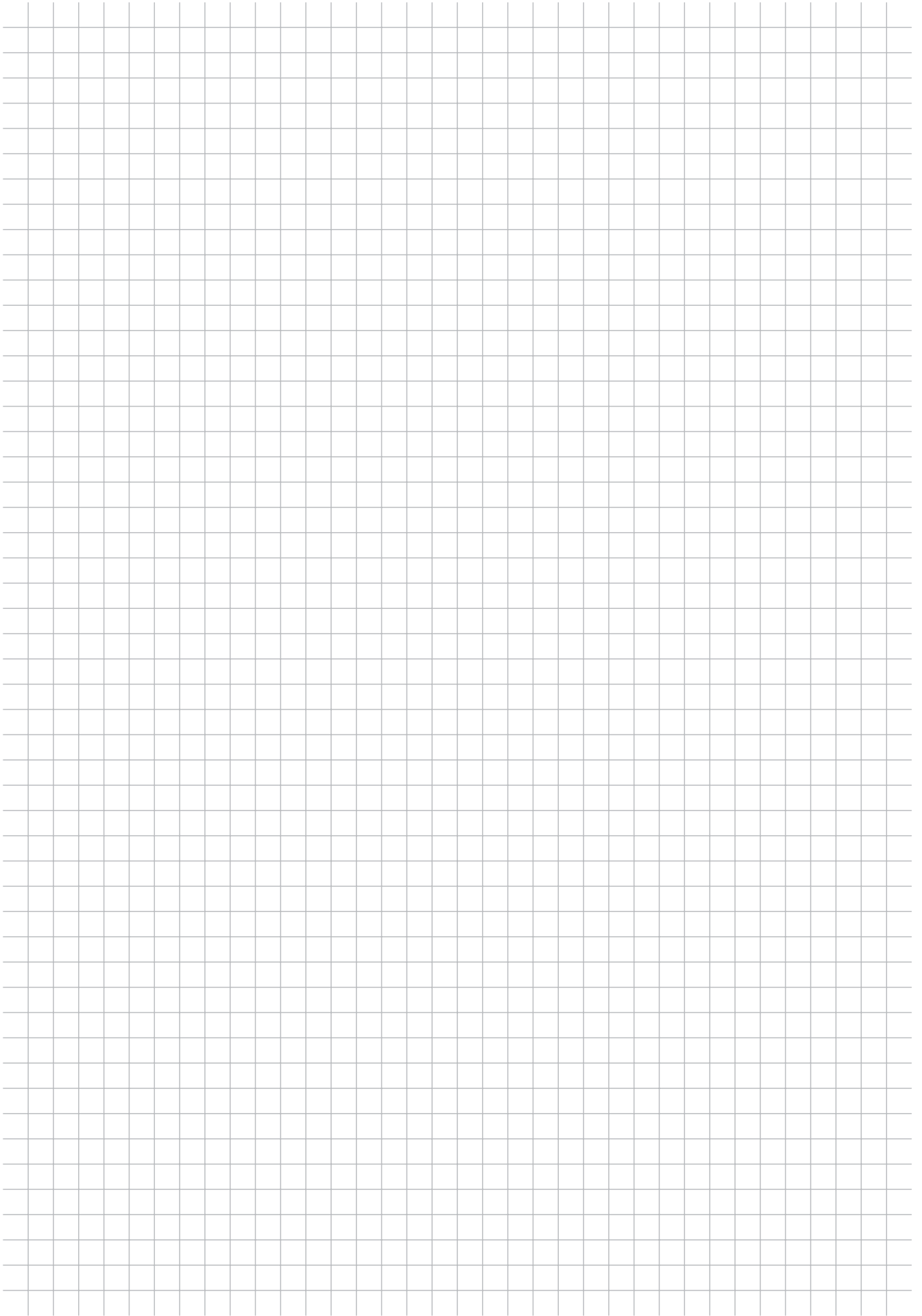
IV.1d

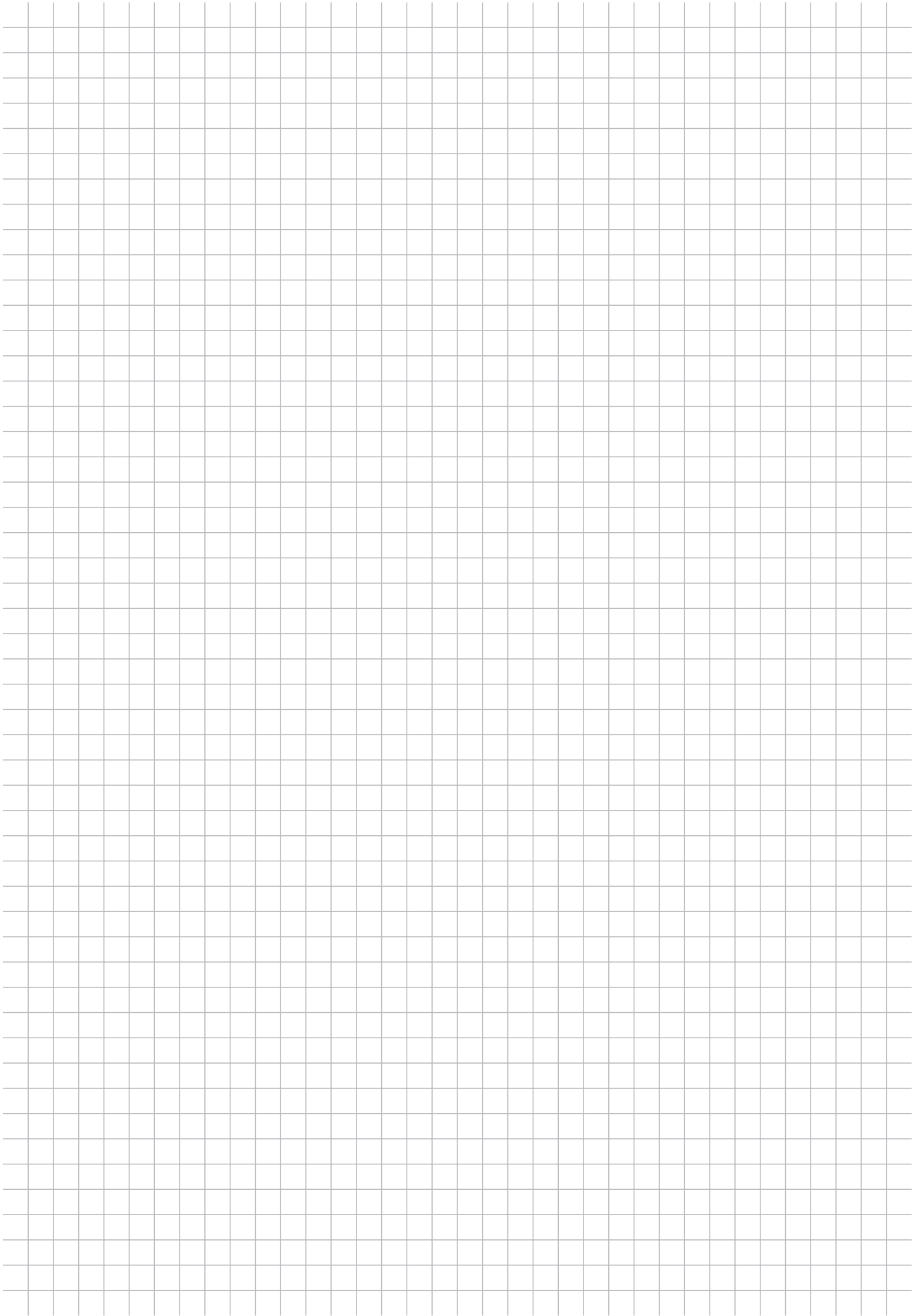


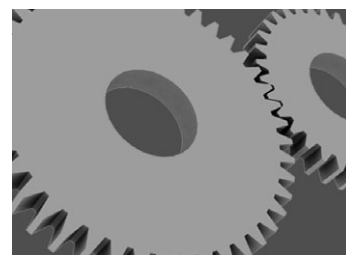


10









Monter:

A large, empty rounded rectangular box intended for the installer's name.

WIŚNIEWSKI Ltd.
33-311 Wielogłowy 153, Poland
Tel. +48 18 44 77 270 ■ Fax +48 18 44 77 277
www.wisniowski.pl