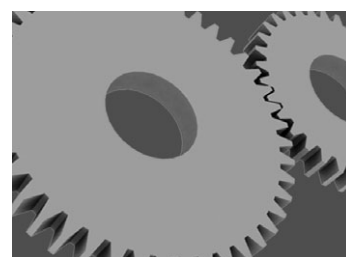




Assembly and Operating Instructions



Manual sliding driveway gate

Technical documentation

Last update: March 31, 2003

GB

1. IMPORTANT INFORMATION

The gate should be installed and adjusted only by a COMPETENT person. Read all the instructions before assembling the gate. Read the instructions and follow them carefully. They contain essential information to ensure secure assembly, use and proper maintenance of the gate. Keep this manual in a safe place.

2. PURPOSE

This gate should be used for closing driveways to private property, plots, recreational areas, private housing estates, public buildings, historical buildings and sites, churches and temples, embassies, government buildings, state office buildings and other buildings of similar nature.

3. OPERATING CONDITIONS AND SAFETY

WARNING:

When assembling and installing the gate, follow the local health and safety at work regulations concerning assembly and fitting work performed with electric tools in accordance with the assembly technique used.

ANY ELECTRIC INSTALLATION THAT MIGHT BE REQUIRED MUST BE MADE ACCORDING TO THE REGULATIONS THAT ARE IN EFFECT IN YOUR COUNTRY.

ALL ELECTRIC WORK MUST BE PERFORMED ONLY BY AN AUTHORIZED TECHNICIAN.



There must be no obstacles within the operating range of the gate. Make sure that while the gate is in motion there are no people (and especially children) or objects in its close proximity.

WARNING! Accident hazard.

Gates with filling elements spacing < 20% must not be used when wind velocity exceeds 15 m/s.

Gates with no filling

Filling that is fitted by the customer may only be screwed to the gate. The filling parts must not be welded to the gate. The maximum weight of the filling must not exceed 20 kg per one running meter of the driveway width. A galvanized gate may be painted with topcoat paint following the instructions provided by its manufacturer. The zinc coating on the gate is not meant to be decorative but protects it against corrosion.

4. PRELIMINARY WORK

This stage includes preparing the gate's foundations and any electric circuits that are required:

- The opening direction of the gate is always determined when looking at the gate from the premises. A RIGHT gate is a gate that opens to the right.
- The foundation for the right gate should be constructed in accordance with Fig. 0 (the anchoring bolts are delivered by the manufacturer). A mirror-view foundation should be constructed for the left gate.
- The foundations must be deeper than the freezing zone specified for a given area. In Poland, follow the PN-81/B-03200 standard.
- The distance between the foundation anchoring bolts must correspond to the distance between the holes in the gate angle brace and is specified when placing the order.
- When inserting the anchoring bolts into the concrete it is essential to ensure that they are in vertical position.
- Bury YLY control wires (2 x 1 mm² for one pair of photocells) below the surface of the driveway and leave approximately 2 extra meters of the wire for subsequent fitting work. Alternatively, bury a PVC pipe into which wires will be inserted later.
- If you prepare the gate for a subsequent installation of the drive unit, if the gate is less than 30 m away from the power source (transformer), use the YLY 2 x 1.5 mm² wire, and if the distance exceeds 30 m, use the YLY 2 x 2.5 mm² and the YLY 2 x 0.5 mm² control wire.

5. ASSEMBLY

Correct functioning of the gate depends to a great extent on whether it has been properly installed. The manufacturer may install the gate for you if you request such services or may recommend an authorized installer.



If you install the gate on your own, make sure that you strictly follow the instructions to avoid malfunctioning of the gate, its premature wear, and a possible loss of warranty.

It is forbidden to use any additional fittings and modify the existing ones without the manufacturer's consent.

AFTER THE GATE HAS BEEN INSTALLED

6. OPERATION

Do not block the gate or leave any objects in its way! Make sure that while the gate is in motion there are no people (and especially children) or objects in its close proximity.

Before you open the gate for the first time, check it thoroughly following the instructions in chapter 9: "Maintenance and service".

The gate has been properly installed when it moves smoothly and its operation is easy.

Opening and closing



When closing the MANUAL gate, make sure that the locking bolt is in the OPEN position. Closing the gate when the locking bolt is in the CLOSED position may cause damage to the lock. The gate is locked by turning the key to the 'closed' position.

7. TROUBLE SHOOTING

If resistance is felt while moving the gate or if there are other problems, follow the instructions in 9: "Maintenance and service" and in 10: "Cleaning". In case of any doubt, contact the installer or the manufacturer's authorized service.

8. PAINTING (not applicable to painted gates)

Having installed the gate, use anti-corrosive primer to paint any spots where the zinc coating has been damaged. The zinc-coated gate may be painted with two layers of topcoat paint, preferably based on artificial resins, following the instructions provided by its manufacturer.

9. MAINTENANCE AND SERVICE

The gate should be checked and maintenance work should be performed at least every 6 months according to the instructions below. Failure to do so may result in malfunctioning. It is recommended that the gate be checked once a year by an authorized technician. Such a check should be confirmed in the warranty card.

9.1. Fitting

Check all the connections between different parts of the gate (made during the installation) and adjust them if necessary.

9.2. Lubrication

It is not recommended to lubricate the moving parts of the gate, as it causes dust and dirt to stick to them, which causes even more friction and resistance.

9.3. Lock insert

Do not lubricate it!

10. CLEANING

After each winter season clean the slide rail of the gate of any dirt that has accumulated inside.

10.1. Gates with powder-painted surfaces.

Protect the gate from caustic substances such as liquors, acids, etc. Make sure the product is properly maintained. Clean the powder-painted parts of the gate at least once a year. If the gate is used in an excessively polluted environment, it should be cleaned more frequently.

When cleaning the gate, follow this advice:

- Use clean water with some neutral (or somewhat alkaline) cleaner and soft, non-abrasive cloth.
- The cleaned surfaces must be cold (maximum 25 °C).
- Use only cold cleaners (maximum 25 °C).
- Do not use any cleaners that are acidic, strongly alkaline or abrasive, which may damage the coating and react with the steel structure.
- Do not use any abrasive cleaners that may peel or scratch the paint.
- Do not use any organic solvents that contain esters, ketones, alcohols, fragrances, glycol ether or chlorinated hydrocarbons.
- Do not use any cleaners whose chemical contents are unknown.
- Greasy, oily or sooty substances may be removed with fragrance-free petrol hydrocarbon.
- Residue of glue, silicon rubber, self-adhesive tape, etc. may be removed with fragrance-free petrol hydrocarbon.

Any cleaner may be in contact with the surface no longer than for 1 hour. If necessary, cleaning may be repeated after at least 24 hours. Glues, mortars, fillers, putties and self-adhesive tapes may contain aggressive substances. Check their action on the paint and the steel structure before using them.

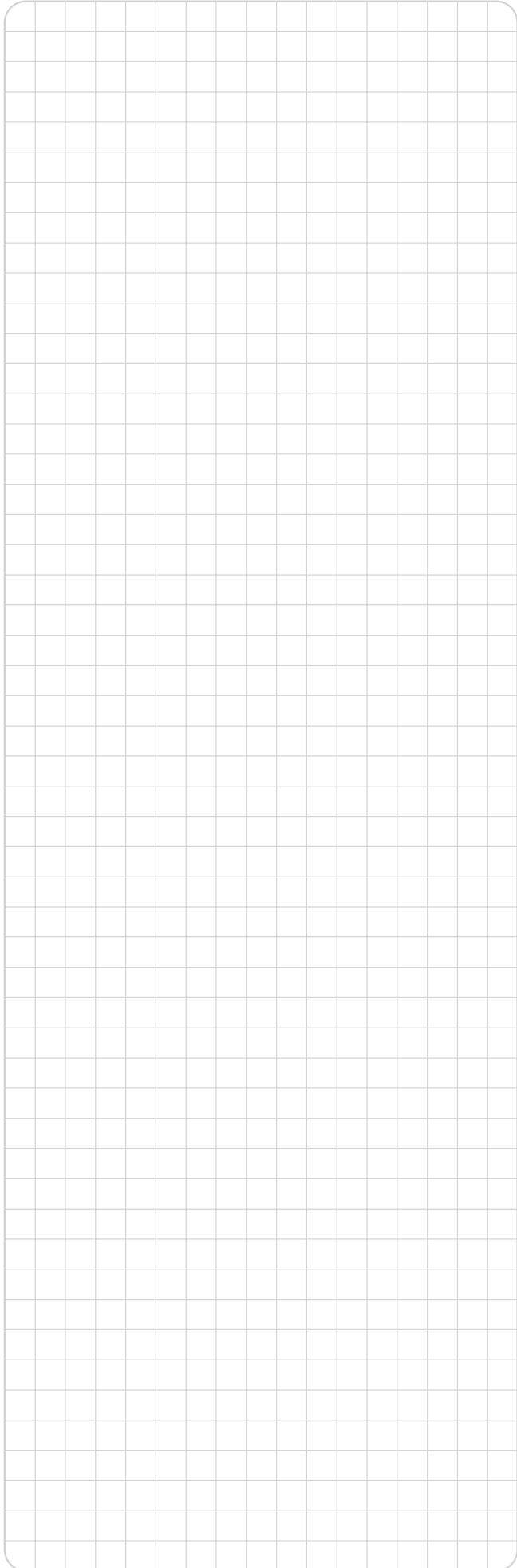
10.2 Gates with galvanized surfaces.

Use the same guidelines as for gates with powder-painted surfaces.

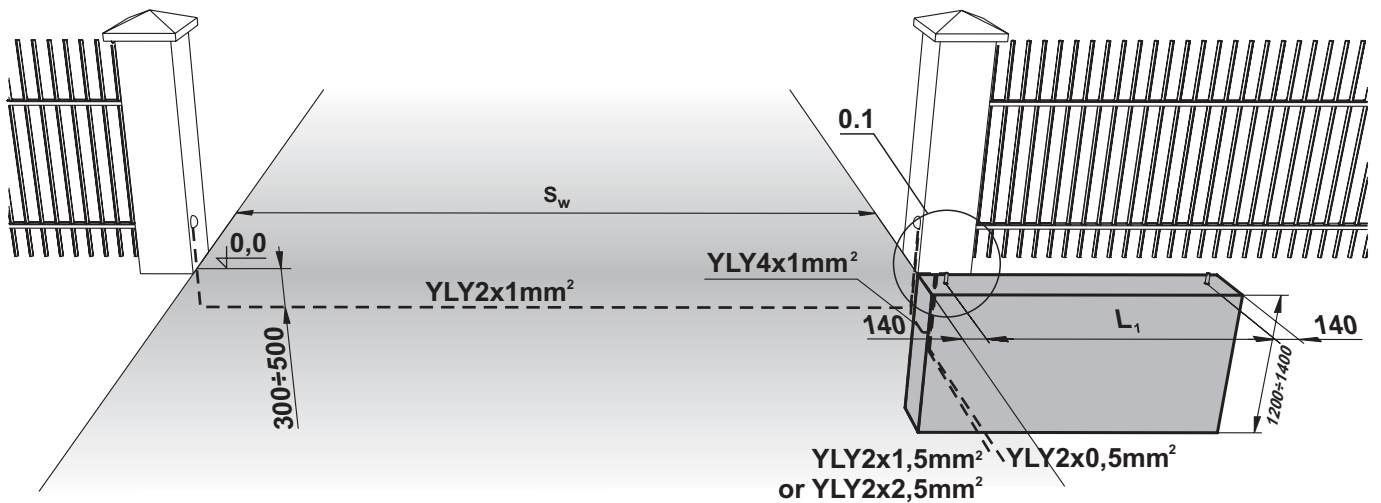
WARNING: Do not lubricate any parts of the angle brace.

The manufacturer reserves the right to change, without notice, the design of the product in accordance with new technologies without changing its functionality.

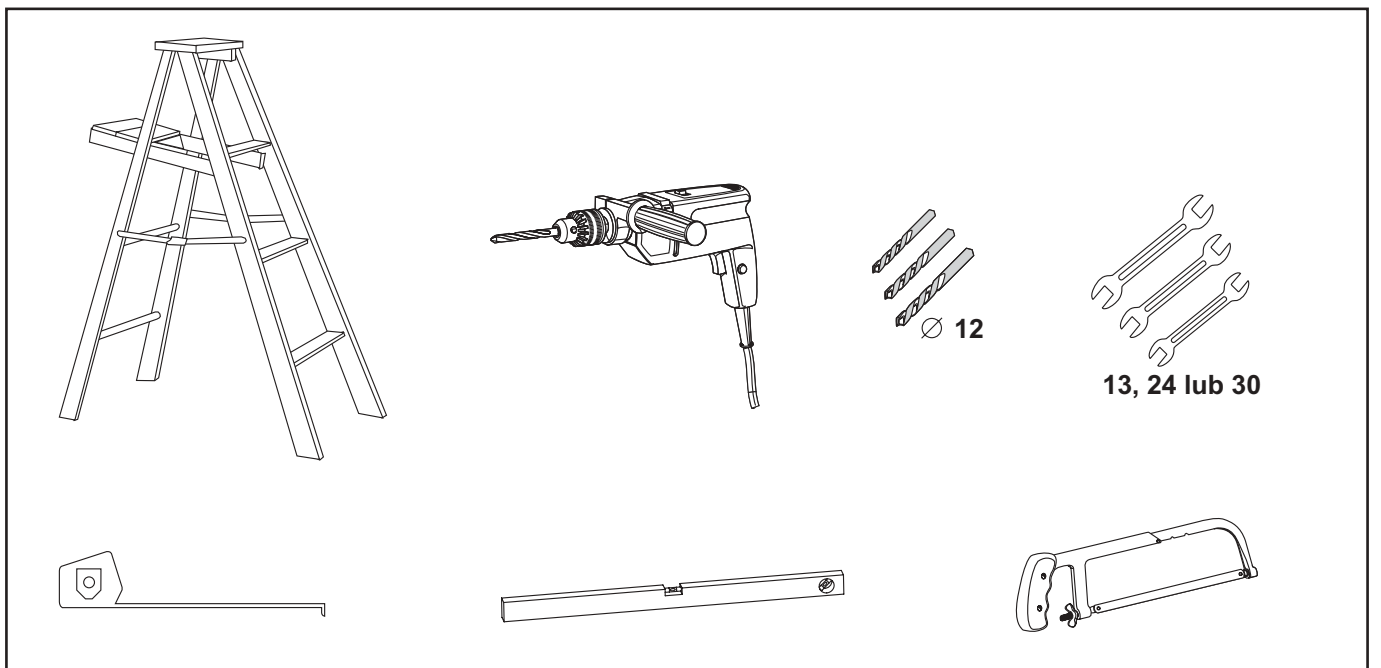
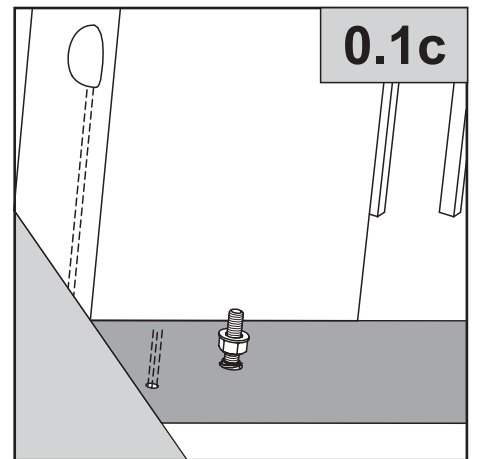
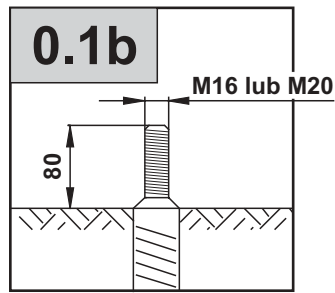
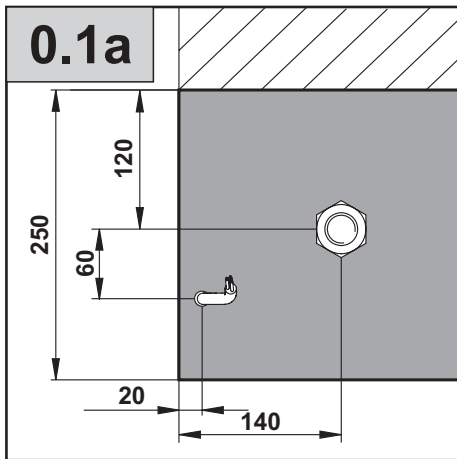
This documentation is the property of FPHU WISNIOWSKI. Any copying, and use thereof in part or in whole without a written consent of the owner is strictly forbidden.



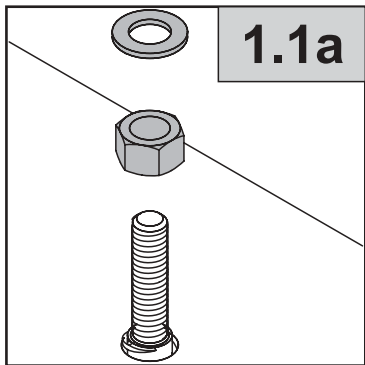
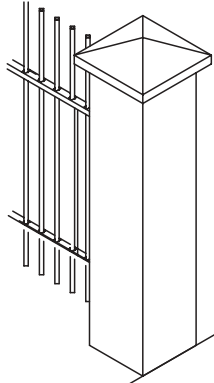
0



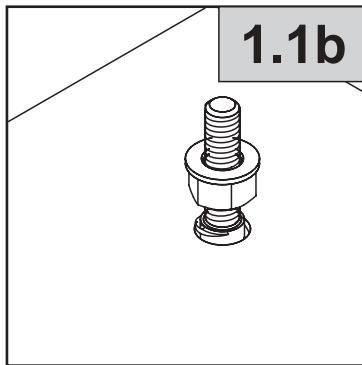
Abbreviations: S_w - driveway opening, L_1 - spacing of anchoring bolts



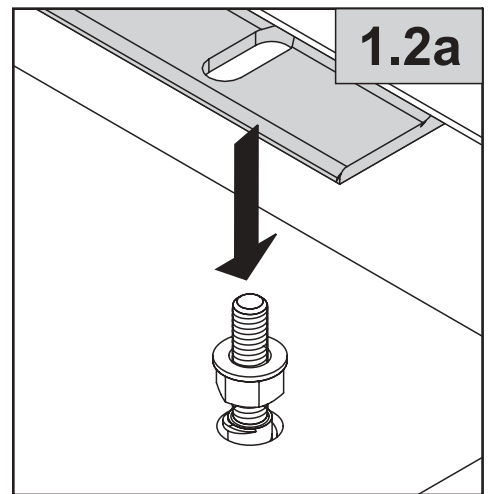
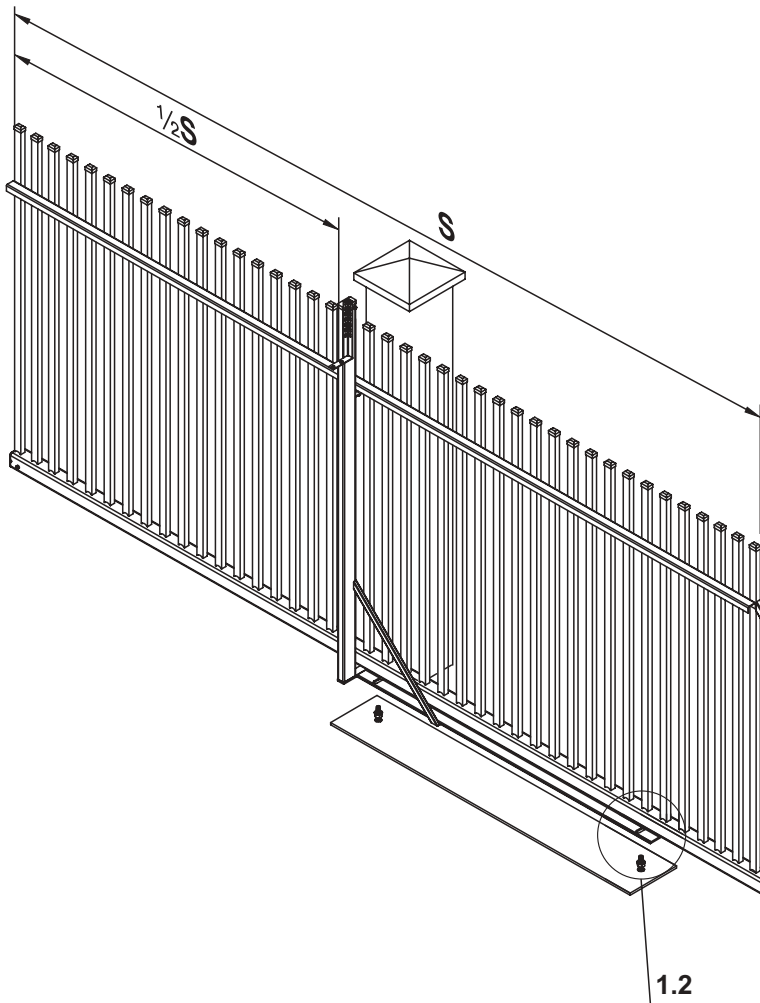
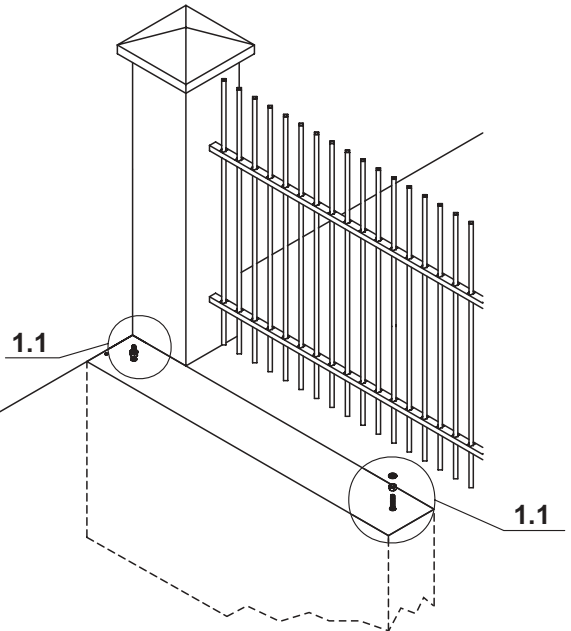
1



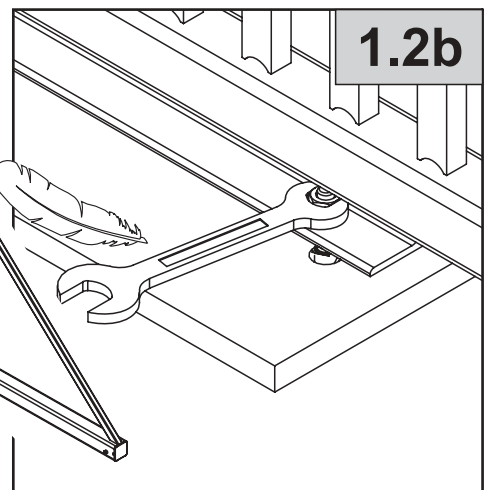
1.1a



1.1b

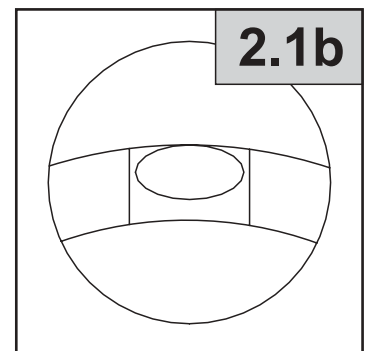
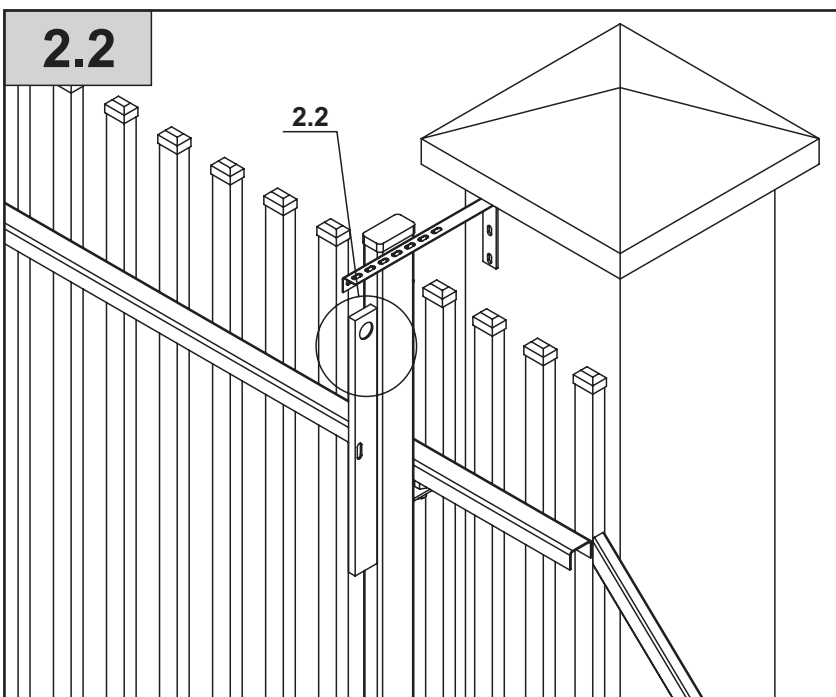
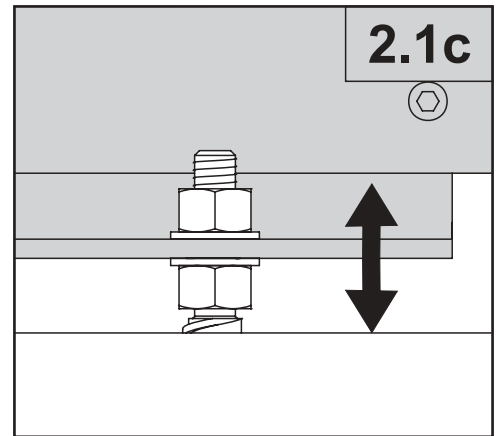
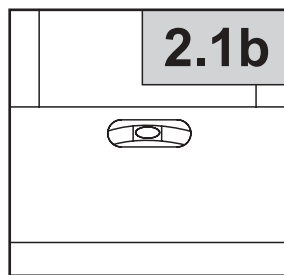
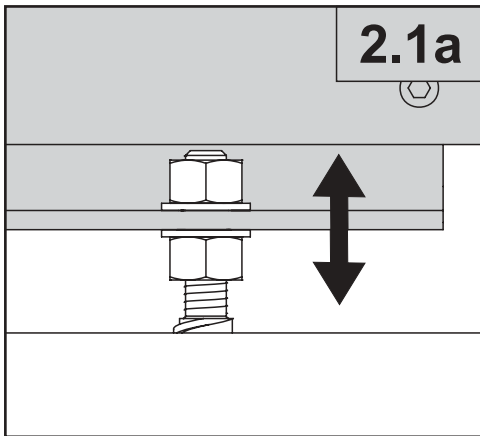
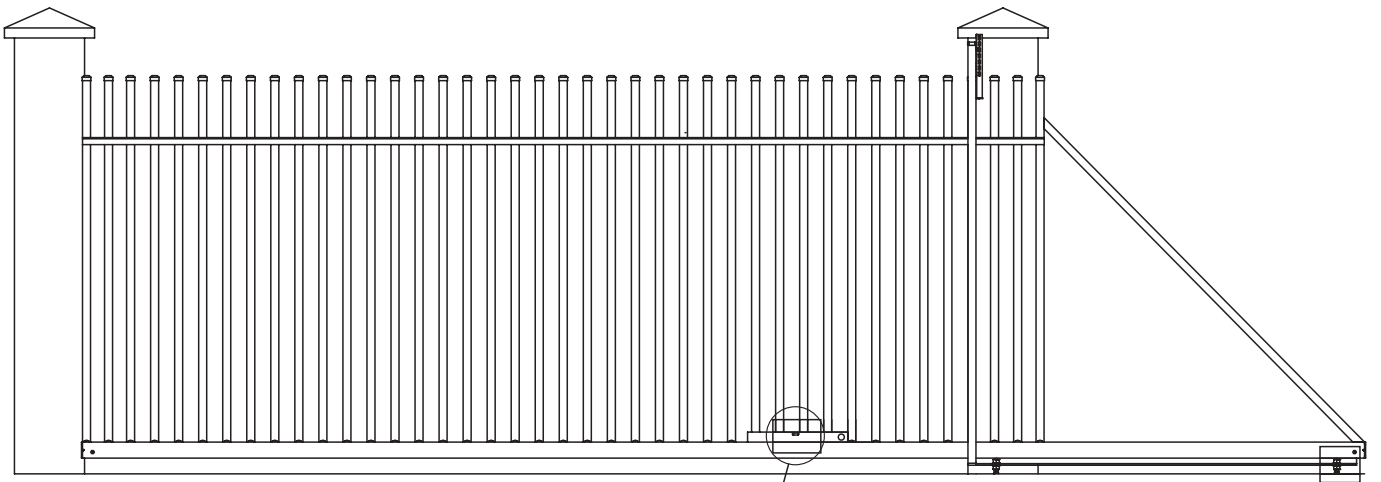


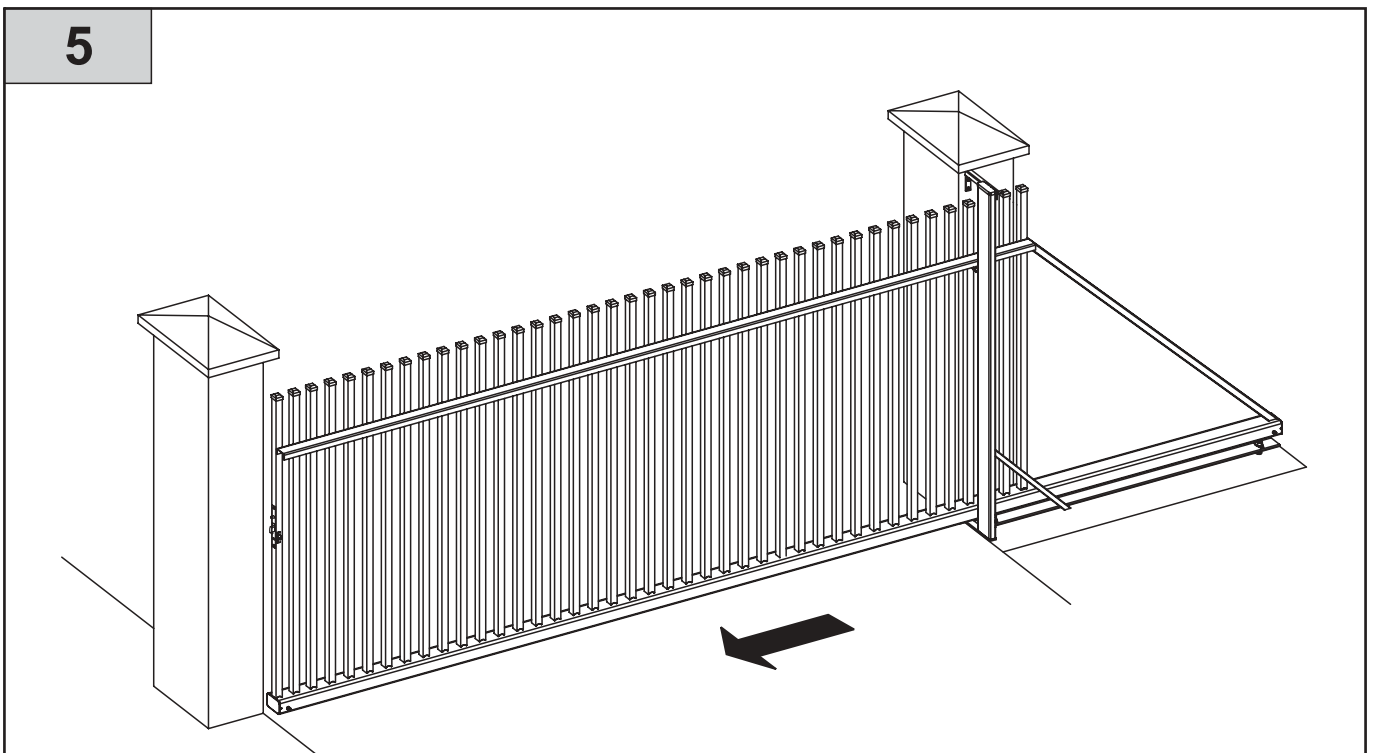
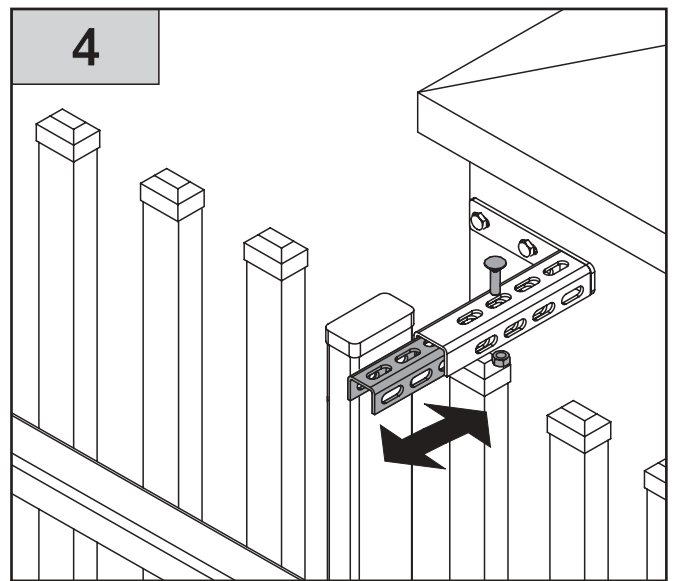
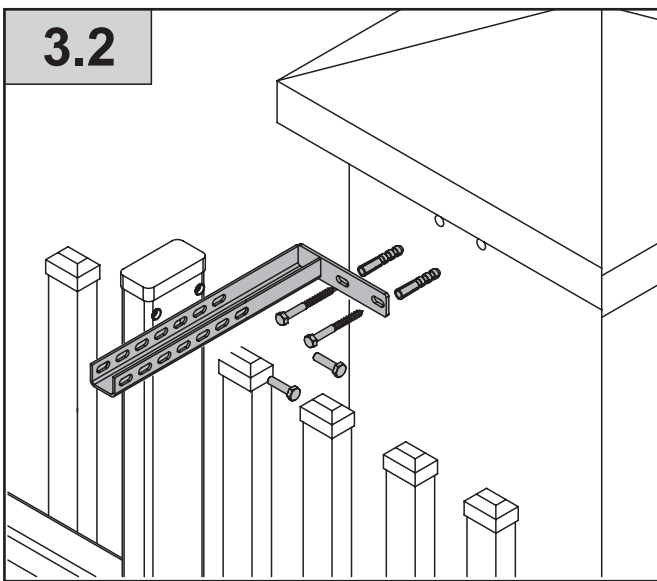
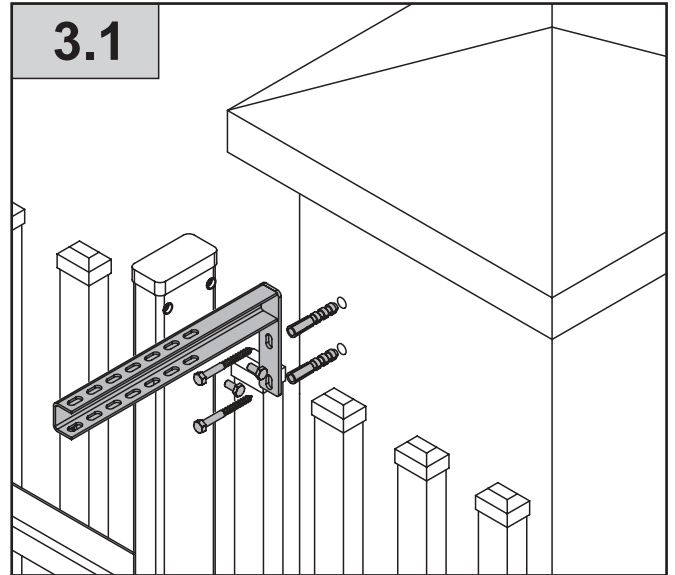
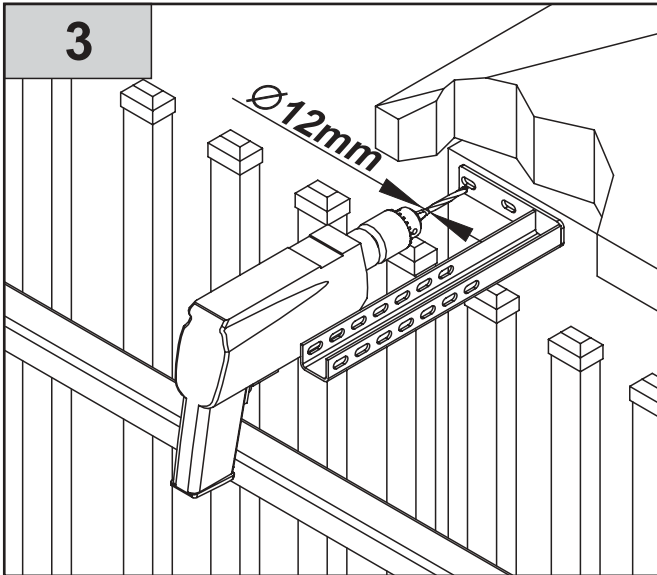
1.2a

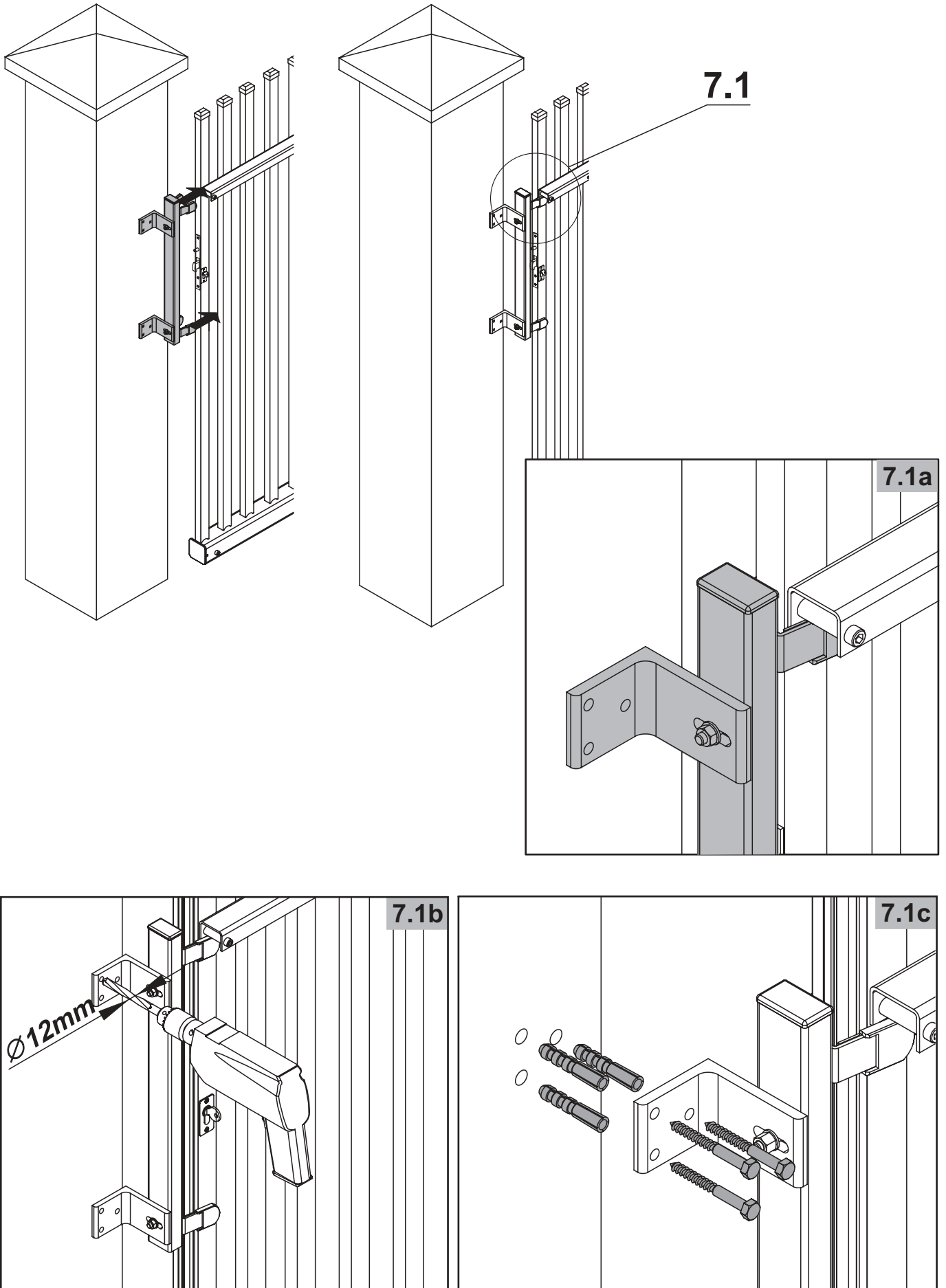


1.2b

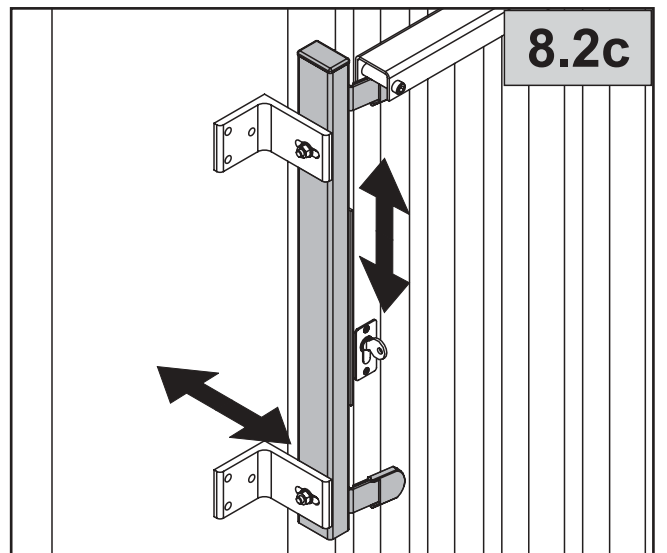
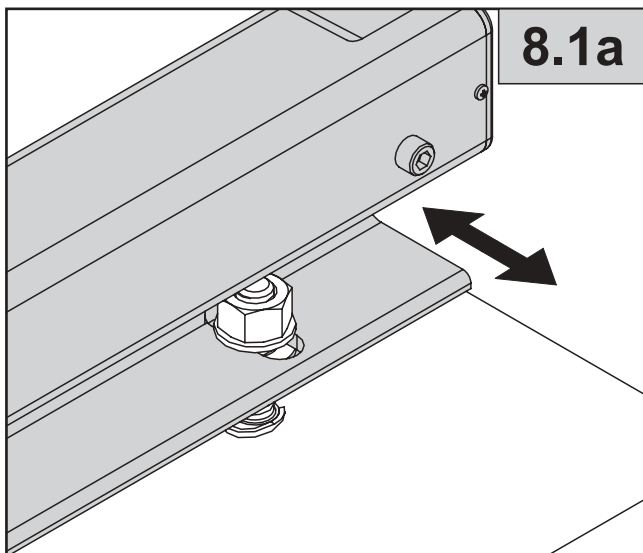
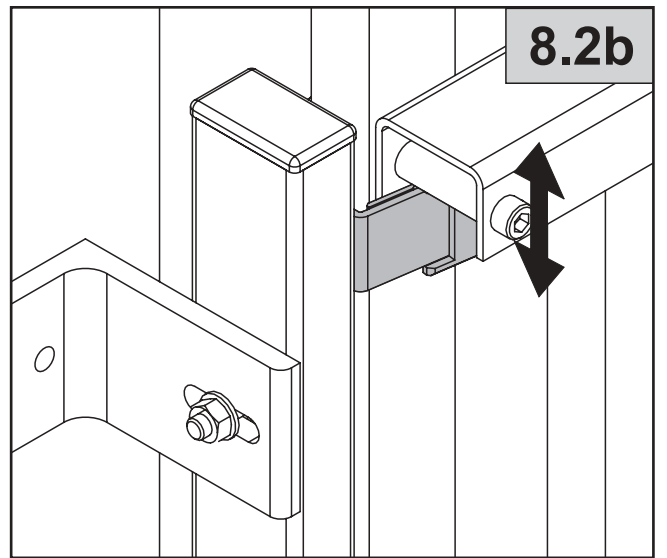
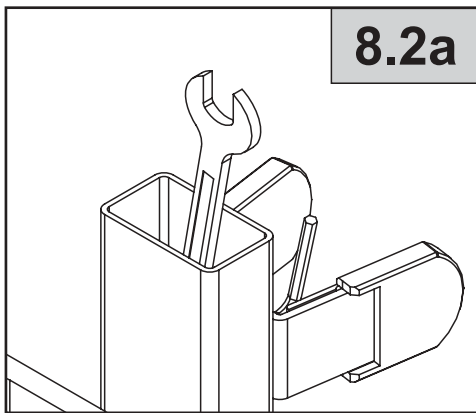
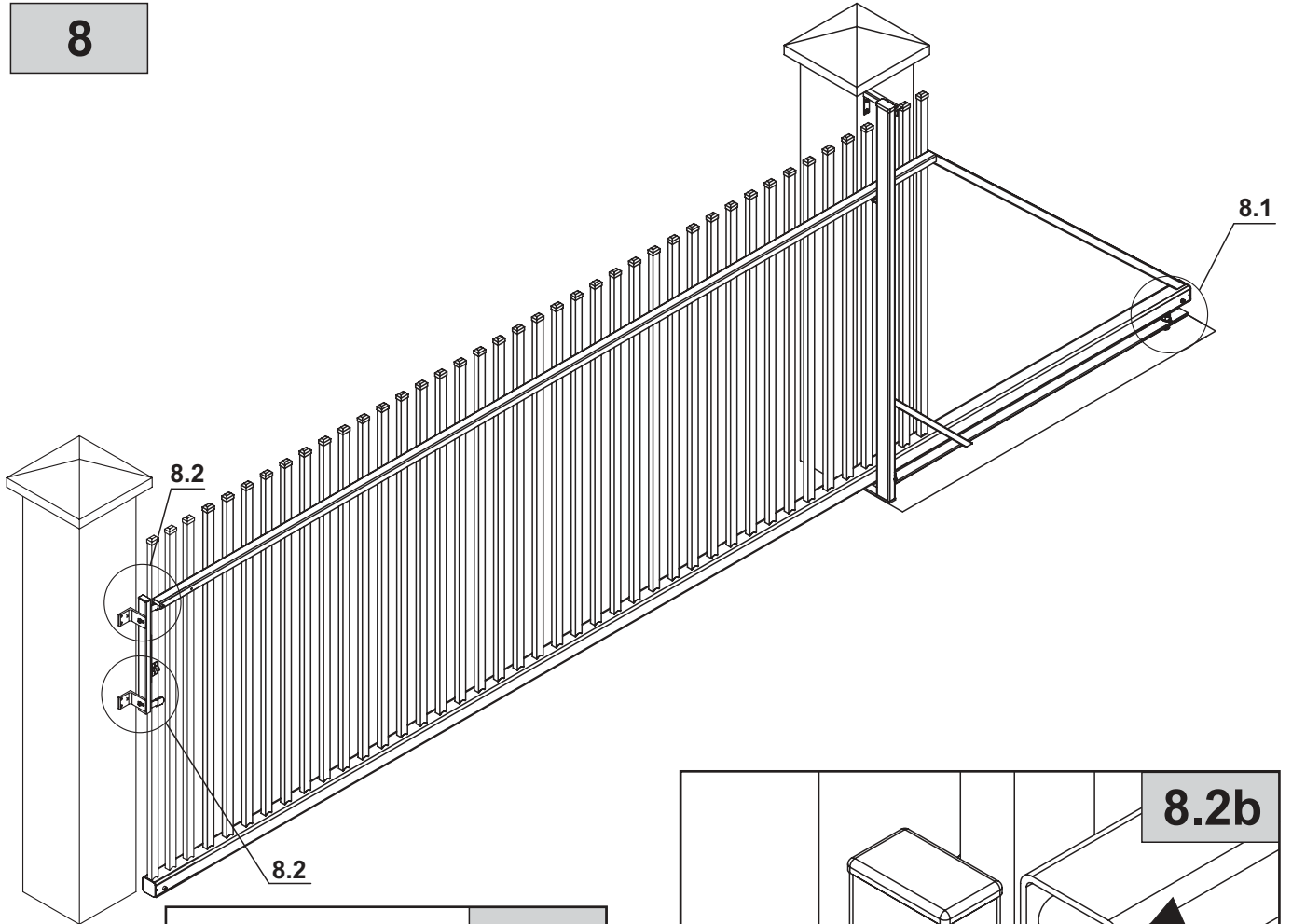
2





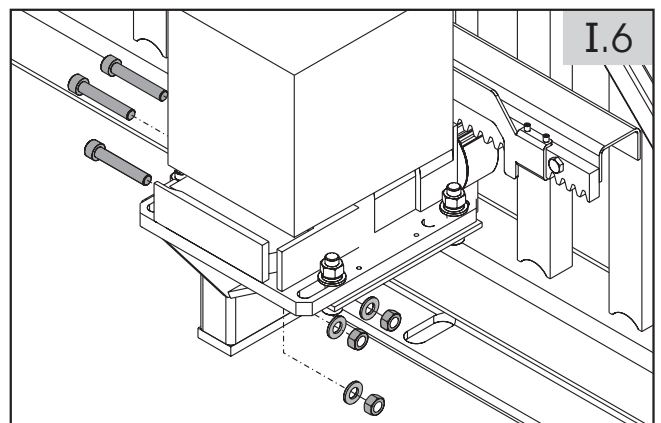
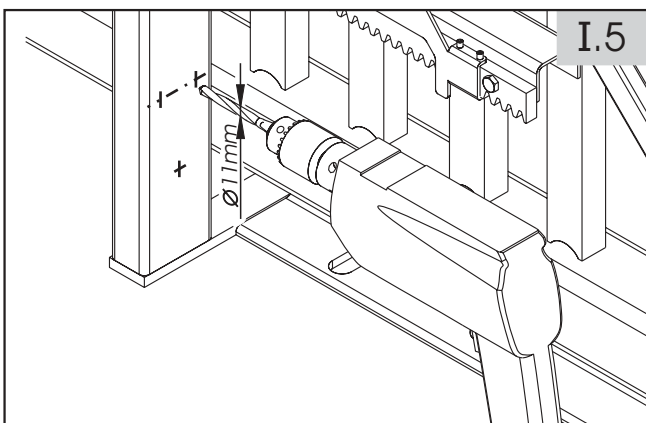
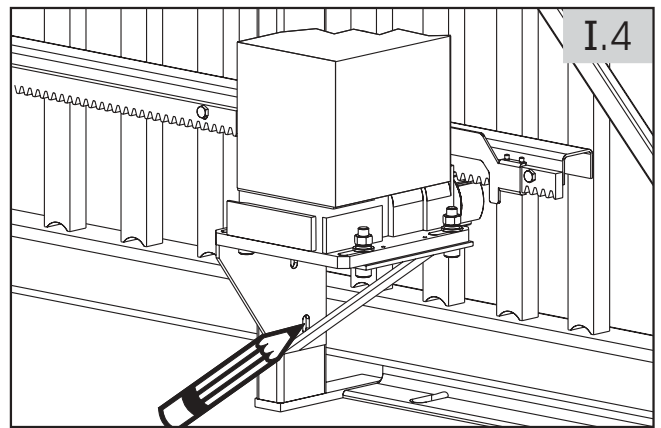
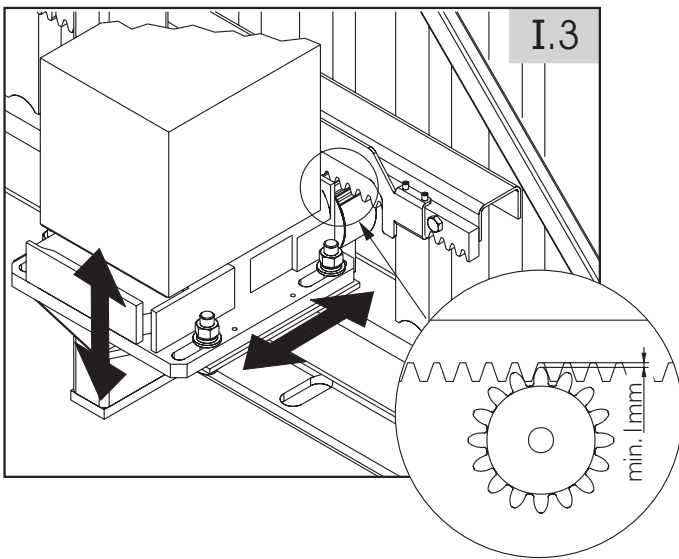
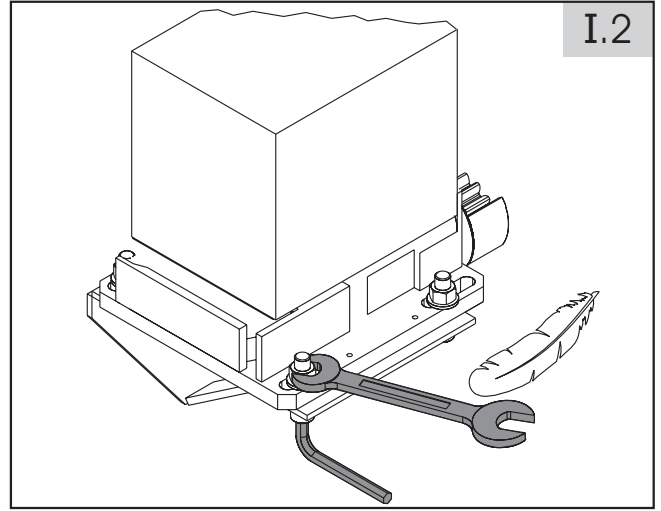
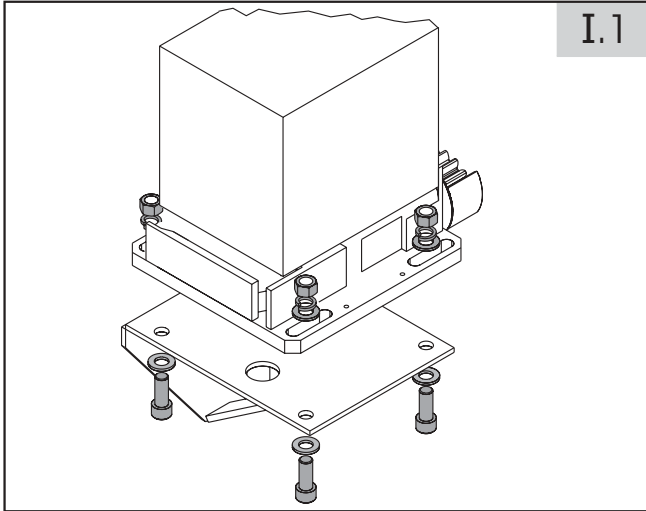


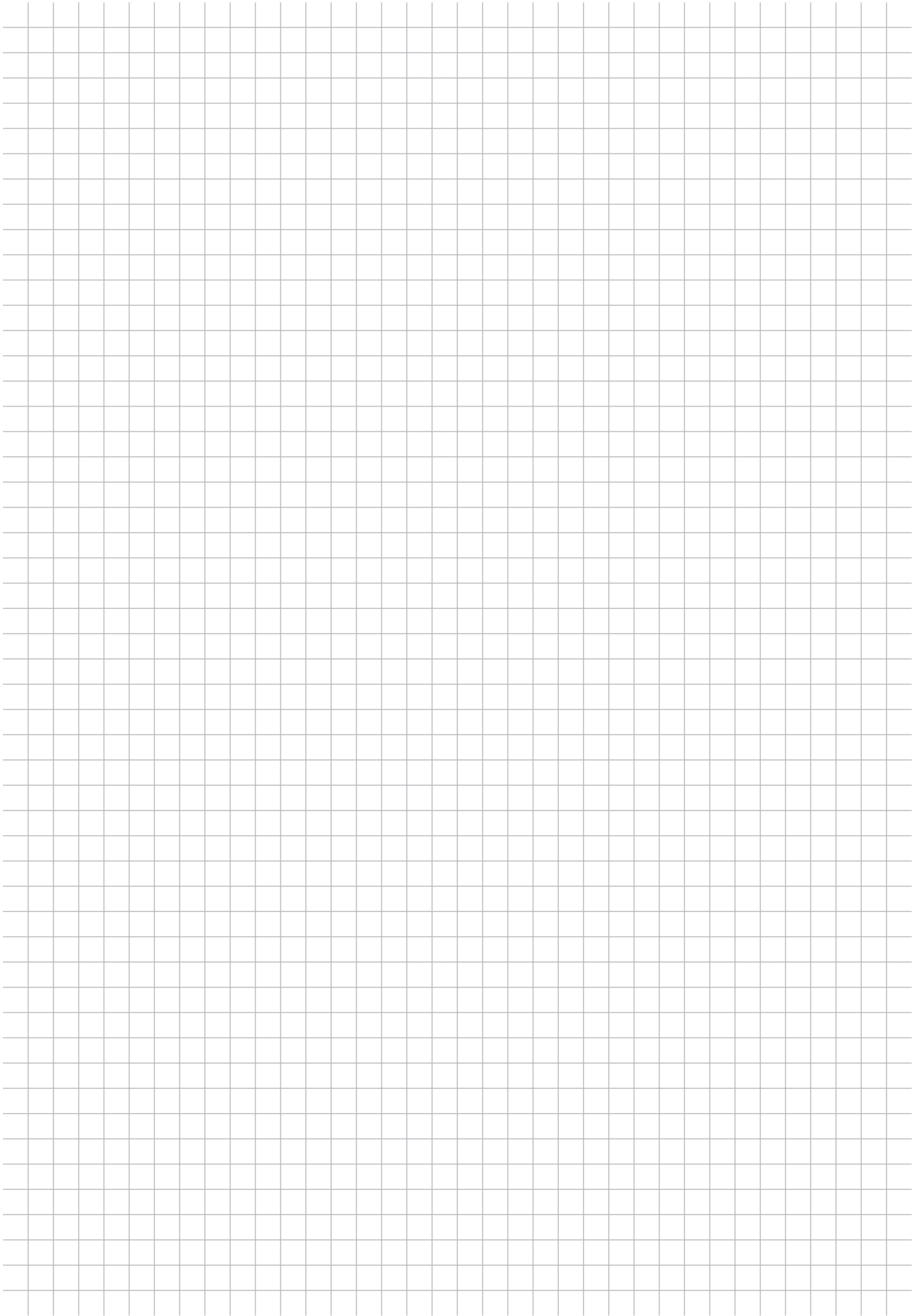
8

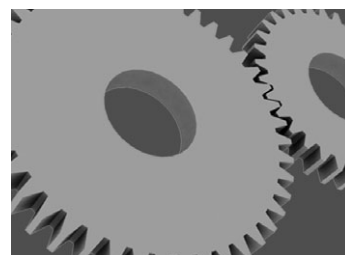


Recommended way of installing the automatic drive unit

The actual number of bolts may differ from that in the diagram.







Monter:

A large, empty rounded rectangular box intended for the installer's name.

WIŚNIEWSKI Ltd.
33-311 Wielogłowy 153, Poland
Tel. +48 18 44 77 270 ■ Fax +48 18 44 77 277
www.wisniowski.pl